

# MW550

## BenQ DLP Projector



### Features

- 5G Crystal Glass Lenses for Pure Clarity
- 3,600 ANSI Lumen High Brightness for Stunning Presentations
- WXGA Native Resolution for Crisp Readability
- BenQ SmartEco Energy Conservation
- 20,000 : 1 High contrast



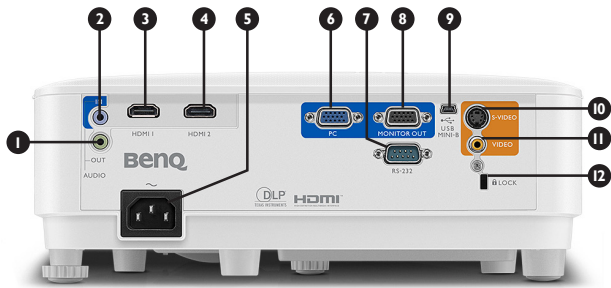
### Product Specifications

<b>Projection System</b>	DLP Single 0.65" WXGA
<b>DMD type</b>	DC3 DMD Chip
<b>Native Resolution</b>	1280 x 800 pixels
<b>Brightness</b>	3,600 ANSI Lumens
<b>Contrast Ratio*</b>	20,000 : 1
<b>Display Color</b>	1.07 Billion Colors
<b>Aspect Ratio</b>	Native 16 : 10 (5 aspect ratio selectable)
<b>Light Source</b>	Lamp
<b>Light Source life**</b>	5,000 / 10,000 / 10,000 / 15,000 hours (Normal / Eco / SmartEco / Lamp save mode)
<b>Throw Ratio</b>	1.55~1.7 (87" ±3% @ 2.9m)
<b>Zoom Ratio</b>	1.1x
<b>Lens Control</b>	Manual Zoom and Focus
<b>Keystone Correction</b>	Vertical: ± 40 degrees
<b>Projection Offset</b>	110%±2.5%
<b>Projection Size</b>	30" ~ 300"
<b>Built-in Speaker</b>	2W
<b>Security</b>	Security Bar, Kensington lock
<b>Resolution Support</b>	VGA (640 x 480) to WUXGA_RB (1920 x 1200) *RB=Reduced blanking
<b>Horizontal Frequency</b>	15~102KHz
<b>Vertical Scan Rate</b>	23 ~ 120 Hz
<b>HDTV Compatibility</b>	480i, 480p, 576i, 567p, 720p, 1080i, 1080p
<b>Video Compatibility</b>	NTSC, PAL, SECAM
<b>Power Consumption</b>	270W
<b>Standby Power Consumption</b>	Normal < 0.5W
<b>Power Supply</b>	100 ~ 240V AC
<b>Product Dimensions (W x H x D)</b>	296 x 120 x 221 mm
<b>Product Weight</b>	2.3 kg
<b>Noise Level (Normal / Eco)</b>	33 / 29 dBA
<b>Operating Temperature</b>	0 ~ 40°C
<b>Accessories (Standard)</b>	Remote control (5JJGV06.001) AAA Battery x 2 Power Cord (by region) VGA cable Warranty Card (by region) Quick Start Guide (4JJHY01.001)
<b>Accessories (Optional)</b>	Spare Lamp Kit (5JJHH05.001) 3D Glasses (5JJ9H25.002) Ceiling mount
<b>On Screen Display Language</b>	Arabic / Bulgarian / Croatian / Czech / Danish / Dutch / English / Finnish / French / German / Greek / Hindi / Hungarian / Italian / Indonesian / Japanese / Korean / Norwegian / Persian / Polish / Portuguese / Romanian / Russian / Simplified Chinese / Spanish / Swedish / Turkish / Thai / Traditional Chinese / Vietnamese (30 Languages)

\*The Contrast is measure by Full On Full Off standard.

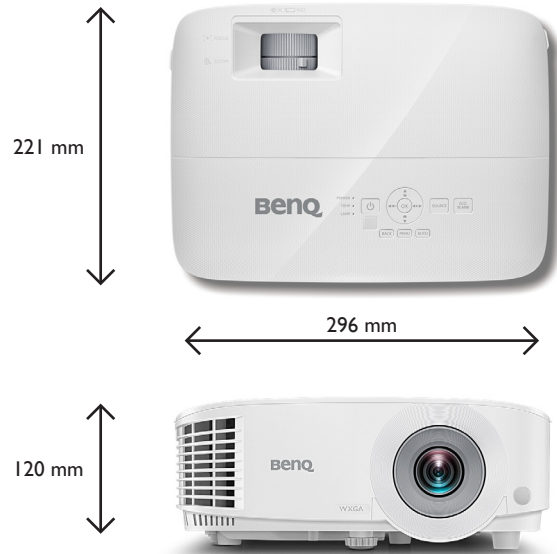
\*\*LightSource life results will vary depending on environmental conditions and usage. Actual product's features and specifications are subject to change without notice.

## Input and Output Terminals



- 1 Audio output jack
- 2 Audio input jack
- 3 HDMI 1 input port
- 4 HDMI 2 input port
- 5 AC power jack
- 6 PC input (D-sub 15pin, Female)
- 7 RS-232 control port
- 8 Monitor output (D-sub 15pin, Female)
- 9 USB Mini-B port
- 10 S-Video input jack
- 11 Video input jack
- 12 Kensington anti-theft lock slot

## Dimensions



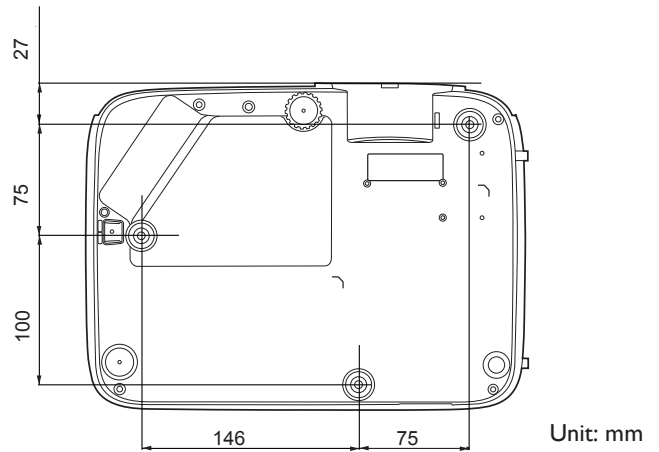
## Distance Chart

• The screen aspect ratio is 16:10 and the projected picture is in a 16:10 aspect ratio

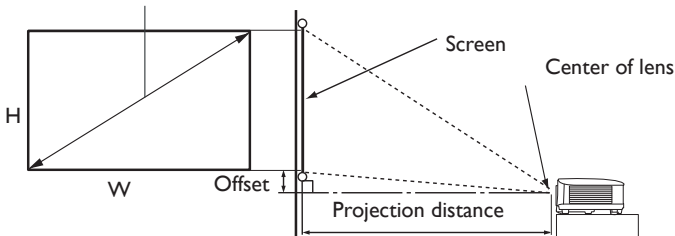
Screen size				Distance from screen (mm)			Offset (mm)
Diagonal		H (mm)	W (mm)	Min distance (max. zoom)	Average	Max distance (min. zoom)	
inch	mm						
30	762	406	646	1002	1050	1098	0
40	1016	538	862	1335	1400	1465	0
50	1270	673	1077	1669	1750	1831	0
60	1524	808	1292	2003	2100	2197	0
70	1778	942	1508	2337	2450	2563	0
80	2032	1007	1723	2671	2800	2929	0
90	2286	1212	1939	3005	3150	3295	0
100	2540	1346	2154	3339	3500	3662	0
110	2794	1481	2369	3672	3850	4028	0
120	3048	1615	2585	4006	4200	4394	0
130	3302	1750	2800	4340	4550	4760	0
140	3556	1885	3015	4676	4900	5126	0
150	3810	2019	3231	5008	5250	5492	0
160	4064	2154	3446	5342	5600	5859	0
170	4318	2289	3662	5676	5950	6225	0
180	4572	2423	3877	6009	6300	6591	0
190	4826	2558	4092	6343	6650	6957	0
200	5080	2692	4308	6677	7000	7323	0
250	6350	3365	5385	8346	8750	9154	0
300	7620	4039	6462	10016	10500	10985	0

## Ceiling Mount Chart

Ceiling/Wall mount screw: M4  
(Max L = 25 mm; Min L = 20 mm)



### 16:10 Screen diagonal



BenQ Europe B.V.

Meerenakkerweg 1-17  
5652 AR Eindhoven  
The Netherlands  
Tel: +31 88 8889200  
Fax: +31 88 8889299

BenQ.eu

© 2018 BenQ Corp. Specification may vary by region, please visit your local stores for details.  
Actual product's features and specifications are subject to change without notice.  
This material may include corporate names and trademarks of third parties which are the properties of the third parties respectively.

BenQ