

TK850

BenQ DLP Projector



Features

- True 4K UHD (3840 x 2160) 8.3M Pixel resolution
- Vivid Colors and High Brightness Cut Through Living Room Ambient Light
- 98% Rec.709 coverage with optimized Color Wheel
- Sport Mode for Immersive Audiovisual Sport Game Experience
- HDR Pro - Hyper-Realistic Video Quality with projector-optimized HDR10 and HLG
- Short throw projection with vertical lens shift for hassle free installation



Product Specifications

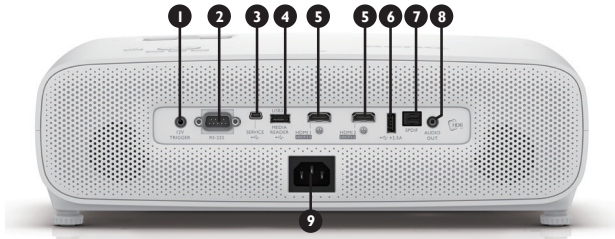
Projection System	DLP
DMD type	0.47"
Native Resolution	4K UHD (3840 x 2160) Resolution
Brightness	3,000 ANSI Lumens
Contrast Ratio**	30,000 : 1 (Dynamic Iris)
Display Color	30 Bits (1.07 billion colors)
Aspect Ratio	Native 16 : 9 (6 aspect ratio selectable)
Light Source	Lamp
Light Source life***	Normal 4,000 hours / Eco 10,000 hours / SmartEco 15,000 hours
Throw Ratio	1.13 - 1.47 (100" @ 2.5 m)
Zoom Ratio	1.3X
Keystone Correction	1D, (Auto) Vertical \pm 30 degrees
Projection Offset	100%
Lens Shift	Vertical +10%
Projection Size (Clear Focus / Maximum)	40"~200" / 30"~300"
Built-in Speaker	5W x 2 (Chamber)
Picture Mode	Bright / Living Room / Cinema/ Sports / Silence / (3D)* / User 1 / HDR / HLG
Color Wheel Segment	4 segment (RGBW)
Color Wheel Speed	2D: 96Hz; 100Hz; 120Hz / 3D: 120Hz
Security	Security Bar; Kensington lock
Feature	HDR10, HLG, 3D, CinemaMaster Video + (Motion Enhancer 4K, Pixel Enhancer 4K), CinemaMaster Audio + 2, Auto Keystone
Resolution Support	VGA (640 x 480) to 4K UHD (3840 x 2160)
Horizontal Frequency	15K-135KHz
Vertical Scan Rate	23-120Hz
HDTV Compatibility	720p 50/60Hz, 1080i 50/60Hz, 1080p 24/25/30/50/60Hz, 2160p 23/24/25/30/60Hz
Power Consumption (Max / Normal / Eco)	Max 350W, Normal 340W, Eco 280W
Standby Power Consumption	0.5W Max. at 100 ~ 240VAC
Power Supply	VAC 100 ~ 240 (50/60Hz)
Product Dimensions (W x H x D)	380 x 127 x 263 mm
Product Weight	4.2 kg
Noise Level (Normal / Eco)	30 / 28dBA (Silence mode)
Operating Temperature	0~40 degrees (Celsius)
Accessories (Standard)	Remote Control - RCV017 with Battery x 1 (5JJKC06.001) Power Cord (by region) x 1 (3m) User Manual CD (27L) Quick Start Guide (21L) Warranty Card (by region)
Accessories (Optional)	Spare Lamp Kit (5JJKC05.001) 3D Glasses
On Screen Display Language	Arabic / Bulgarian / Croatian / Czech / Danish / Dutch / English / Finnish / French / German / Greek / Hindi / Hungarian / Italian / Indonesian / Japanese / Korean / Norwegian / Polish / Portuguese / Romanian / Russian / Simplified Chinese / Spanish / Swedish / Turkish / Thai / Traditional Chinese (28 Languages)

* In 3D Mode: Resolution is 1920x1080 in 3D Mode.

**The Contrast is measured by Full On Full Off standard.

*** Lamp life results will vary depending on environmental conditions and usage. Actual product's features and specifications are subject to change without notice.

Input and Output Terminals

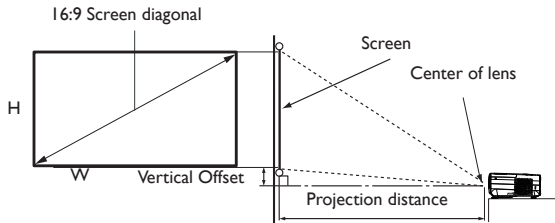


- 1 DC 12V Trigger (3.5 mm Jack)
- 2 RS232 input (D-sub 9pin, male)
- 3 USB Type min B (FW download, service)
- 4 USB Type A (Media Reader, FW download)
- 5 HDMI (HDCP2.2)
- 6 USB Type A (5V/2.5A power)
- 7 Audio output (S/PDIF)
- 8 Audio output (mini jack)
- 9 AC Power cable inlet

Dimensions



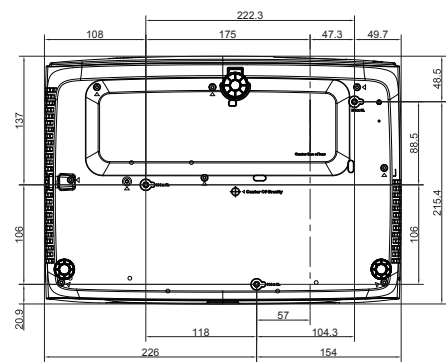
Distance Chart



Screen Size				Distance from Screen		
Diagonal	Height	Width	Min length (max zoom)	Average	Max length (min zoom)	
inch	mm	mm	mm	mm	mm	
30	762	374	664	750	863	976
40	1016	498	886	1001	1151	1302
50	1270	623	1107	1251	1439	1627
60	1524	747	1328	1501	1727	1953
70	1778	872	1550	1751	2015	2278
80	2032	996	1771	2001	2302	2603
90	2286	1121	1992	2251	2590	2929
100	2540	1245	2214	2502	2878	3254
110	2794	1370	2435	2752	3166	3580
120	3048	1494	2657	3002	3454	3905
130	3302	1619	2878	3252	3741	4231
140	3556	1743	3099	3502	4029	4556
150	3810	1868	3321	3752	4317	4881
160	4064	1992	3542	4002	4605	5207
170	4318	2117	3763	4252	4893	5532
180	4572	2241	3985	4502	5180	5858
190	4826	2366	4206	4752	5468	6183
200	5080	2491	4428	5002	5756	6509
210	5334	2615	4649	5252	6044	6834
220	5588	2740	4870	5502	6331	7159
230	5842	2864	5092	5752	6619	7485
240	6096	2989	5313	6002	6907	7810
250	6350	3113	5535	6252	7195	8136
260	6604	3238	5756	6502	7483	8461
270	6858	3362	5977	6752	7770	8787
280	7112	3487	6199	7002	8058	9112
290	7366	3611	6420	7252	8346	9437
300	7620	3736	6641	7502	8634	9763

Ceiling Mount Chart

Ceiling/Wall mount screw: M4
(Max L = 25 mm; Min L = 20 mm)



Unit: mm

Color Depth

Displat format (refresh rate)	Chroma subsampling	8 Bit	10 Bit	12 Bit
4K/60p (60 Hz)	04:04:04	Yes	No	No
	04:02:02	Yes	Yes	Yes
4K/24p (24 Hz)	04:02:00	Yes	Yes	Yes
	04:04:04	Yes	Yes	Yes
	04:02:02	Yes	Yes	Yes
	04:02:00	Yes	Yes	Yes

BenQ Europe B.V.

Meerenakkerweg 1-17
5652 AR Eindhoven
The Netherlands
Tel: +31 88 8889200
Fax: +31 88 8889299

BenQ.eu

© 2020 BenQ Corp. Specifications may vary by region, please visit your local stores for details. Actual product's features and specifications are subject to change without notice. This material may include corporate names and trademarks of third parties which are the properties of the third parties respectively.

