

W1600UST

Digital Projector



Features

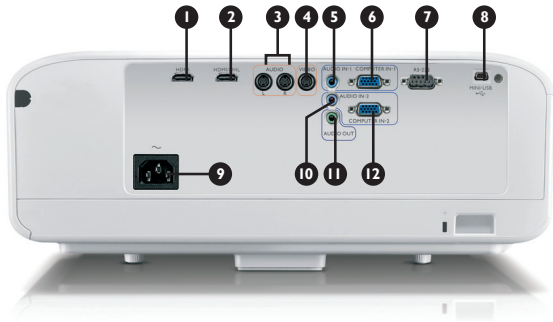
- Whole New Living Room Visual Revolution
- 100" Ambient Light Reflection screen
- Ultra Short Throw Projection with TR0.23



Product Specifications

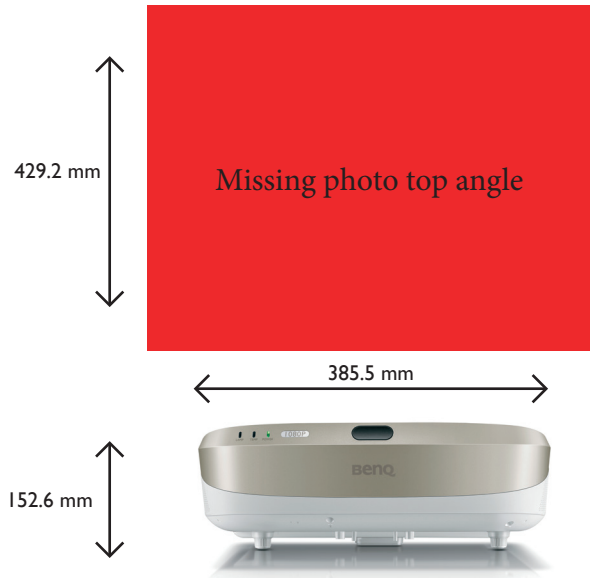
| | | |
|--|---|-----------------------------------|
| Projection System | DLP | |
| Native Resolution | 1080p (1920 x 1080) | |
| Brightness | 3,300 ANSI Lumens | |
| Contrast Ratio | 10,000 : 1 | |
| Display Color | 1.07 Billion Colors | |
| Lens | F=2.4 , f= 3.35 | |
| Aspect Ratio | Native 16 : 9 (5 aspect ratio selectable) | |
| Throw Ratio | 0.23 | |
| Optimize Image Size (Diagonal) | 86"-130" | |
| Image Size (Diagonal) | 300" | |
| Zoom Ratio | Fixed | |
| Lamp Type | 240W | |
| Lamp Mode (Normal / Eco / SmartEco) | 3,000 / 4,000 / 6,000 hours | |
| Keystone Adjustment | 1D, Vertical +/- 30 degrees | |
| Projection Offset | 130% +/- 5% | |
| Resolution Support | VGA (640 x 480) to WUXGA (1920 x 1200) | |
| Horizontal Frequency | 15K~102KHz | |
| Vertical Scan Rate | 23~120Hz | |
| Color Wheel Segment | 6-Seg. (RYWCBG), 12' CW | |
| Color Wheel Speed | 2x | |
| Interface | PC (D-sub 15pin) | x 2 (shared with component video) |
| | HDMI (v1.4a) | x 2 |
| | MHL | x 1 (shared with HDMI2) |
| | Composite Video input (RCA) | x 1 |
| | Audio input (Mini Jack) | x 2 |
| | Audio L/R input (RCA) | x 1 |
| | Audio output (Mini Jack) | x 1 |
| | Speaker | x 2 10W |
| | USB (Type Mini B) | x 1 (FW download / PointWrite) |
| | RS232 (DB-9pin) | x 1 |
| Dimensions (W x H x D) | 385.5 x 152.6 x 429.2 mm | |
| Product Weight | 6.2 kg (exclude plate) | |
| Power Supply | AC 100 to 240 V, 50/60 Hz | |
| Typical Power Consumption | 326W | |
| Stand-by Power Consumption | <0.5W | |
| Network Stand-by Power Consumption | <6W | |
| Acoustic Noise (Typ./Eco.) | 35/29dBA | |
| Operating Temperature | 0~40°C | |
| Accessories | Standard | Optional |
| | Carton (RCS01 I) | Spare Lamp Kit |
| | Power Cord (by region) | 3D Glasses |
| | User Manual CD (3L) | |
| | Quick Start Guide (3L) | |
| | Warranty Card (by region) | |
| | VGA (D-sub 15pin) Cable | |
| | Table Mount Generation I | |

Input and Output Terminals



- | | |
|-----------------------------|------------------------|
| 1 HDMI input port | 8 USB Mini-B port |
| 2 MHL / HDMI dual mode port | 9 AC Power cable inlet |
| 3 Audio (L/R) input jacks | 10 Audio 2 input jack |
| 4 Video input jack | 11 Audio output jack |
| 5 Audio 1 input jack | 12 PC 2 input |
| 6 PC 1 input | |
| 7 RS-232 control port | |

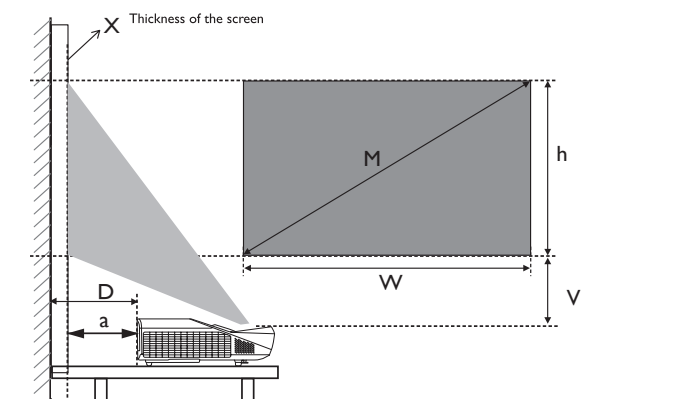
Dimensions



Distance Chart

• The screen aspect ratio is 16:9 and the projected picture is in a 16:9 aspect ratio

| Screen size | | | | Vertical offset V (mm) | Installation distance (D) | |
|--------------|------------|-----------|---------------|------------------------------|---------------------------|------|
| Diagonal (M) | Height (h) | Width (W) | Xa=0 mm (D=a) | | Xc=30 mm (D=a+30 mm) | |
| inch | mm | mm | mm | | (mm) | (mm) |
| 87 | 2210 | 1083 | 1926 | 177 | 83 | 113 |
| 90 | 2286 | 1121 | 1992 | 185 | 98 | 128 |
| 95 | 2413 | 1183 | 2103 | 196 | 122 | 152 |
| 100 | 2540 | 1245 | 2214 | 208 | 147 | 177 |
| 105 | 2667 | 1308 | 2324 | 220 | 171 | 201 |
| 110 | 2794 | 1370 | 2435 | 232 | 196 | 226 |
| 115 | 2921 | 1432 | 2546 | 244 | 221 | 251 |
| 120 | 3048 | 1494 | 2657 | 256 | 245 | 275 |
| 125 | 3175 | 1557 | 2767 | 267 | 270 | 300 |
| 130 | 3302 | 1619 | 2878 | 279 | 295 | 325 |



BenQ Europe B.V.

Meerenakkerweg 1-17
5652 AR Eindhoven
The Netherlands
Tel: +31 88 8889200
Fax: +31 88 8889299

BenQ.eu

© 2018 BenQ Corp. Specification may vary by region, please visit your local stores for details.
Actual product's features and specifications are subject to change without notice.
This material may include corporate names and trademarks of third parties which are the properties of the third parties respectively.

