

XI2000

BenQ DLP Projector



Features

- 4K UHD with Razor-Sharp True 8.3 Million Pixel Detail
- Distinct Clarity Without Artifacts from Panel Misalignment
- Superb CinematicColor DCI-P3 Color Accuracy for Unmatched
- Digital Cinema Experience
- ColorSpark HLD LED Technology for a New Level of Brightness for Well-Lit Environments
- H/V Lens Shift & Big Zoom Lens for Installation Flexibility
- Instant On/Off and Lamp Maintenance Free



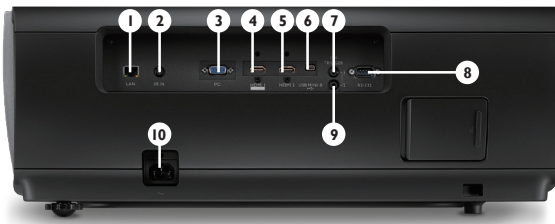
Product Specifications

Projection System	DLP 0.66"	
DMD type	DC3 DMD Chip	
Native Resolution	2716 x 1528 pixels (4K2K with XPR)	
Brightness	2,200 ANSI Lumens	
Contrast Ratio*	50,000 : 1	
Display Color	1.07 Billion Colors	
Aspect Ratio	Native 1.6 : 9 (6 aspect ratio selectable)	
Lamp Type	PHILIPS HLD	
Light Source life**	20,000 hours	
Lens	F = 2.05 - 2.37 f = 20.54 - 30.31	
Throw Ratio	1.36 - 2.03 (100" @ 3m)	
Zoom Ratio	1.5 : 1	
Lens Shift	Vertical: ± 65% / Horizontal: ± 27%	
Projection Size	300"	
Resolution Support	VGA (640 x 480) to 4K UHD (3840 x 2160)	
Horizontal Frequency	15~102KHz	
Vertical Scan Rate	23 ~ 120 Hz	
HDTV Compatibility	480i, 480p, 576i, 576p, 720p, 1080i, 1080p, 2160p	
Interface	PC (D-sub 15pin)	x 1
	HDMI (v1.4a)	x 2 (HDMI 1: HDMI 2.0 & HDCP 2.2; HDMI 2: HDMI 1.4a & HDCP 1.4)
	LAN (RJ45)	x 1
	USB (Type Mini B)	x 1
	DC 12V Trigger (3.5 mm Jack)	x 2
	RS232 (DB-9pin)	x 1
	Wired Remote (Mini Jack)	x 1
Power Consumption	530W	
Standby Power Consumption	< 0.5W	
Power Supply	AC 100 to 240V, 50 / 60 Hz	
Product Dimensions (W x H x D)	470.7 x 224.9 x 564.7 mm	
Product Weight	18.2 kg	
Noise Level (Normal / Eco)	31 / 23 dBA	
Operating Temperature	0 ~ 40°C	
Accessories (Standard)	Carton	Brown carton
	Remote Control with Battery	x 1 (RCV024)
	Power Cord (by region)	x 1 (3m)
	User Manual CD	x 1 (25L)
	Quick Start Guide	x 1 (19L)
	Warranty Card (by region)	x 1
	Lens cover	x 1
Accessories (Optional)	Spare Lamp Kit	x 1
	Unique Accessory	Anamorphic lens
On Screen Display Language	Arabic / Bulgarian / Croatian / Czech / Danish / Dutch / English / Finnish / French / German / Greek / Hindi / Hungarian / Italian / Indonesian / Japanese / Korean / Norwegian / Polish / Portuguese / Romanian / Russian / Simplified Chinese / Spanish / Swedish / Turkish / Thai / Traditional Chinese (28 Languages)	

*The Contrast is measure by Full On Full Off standard.

**LightSource life results will vary depending on environmental conditions and usage. Actual product's features and specifications are subject to change without notice.

Input and Output Terminals



- ❶ RJ-45 LAN input jack
- ❷ IR-input jack
- ❸ RGB (PC) signal input jack
- ❹ HDMI input port (Version 2.0)
- ❺ HDMI input port (Version 1.4a)
- ❻ USB Mini-B port
- ❼ 12VDC output terminals
- ❽ RS-232 control port
- ❾ 12VDC output terminals
- ❿ AC power jack

Dimensions



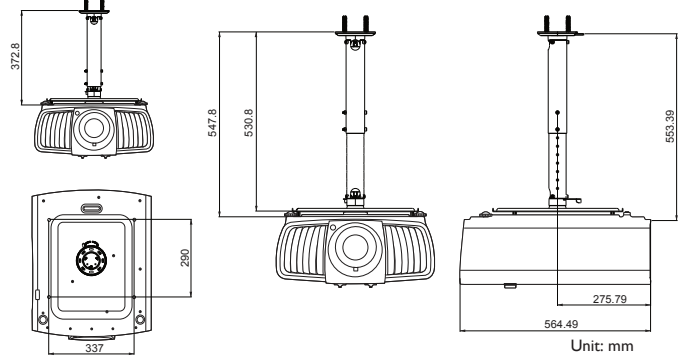
Distance Chart

*The screen aspect ratio is 16:9 and the projected picture is in a 16:9 aspect ratio

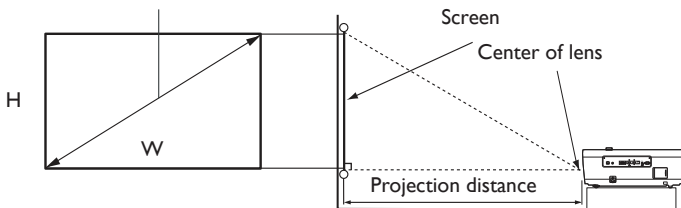
Screen size				Distance from screen (mm)			Lowest/ Highest Lens position (mm)
Diagonal		H	W	Min length (max. zoom)	Average	Max length (min. zoom)	
inch	mm	(mm)	(mm)				
80	2032	996	1771	2400	3000	3600	149
90	2286	1121	1992	2700	3375	4050	168
100	2540	1245	2214	3000	3750	4500	187
110	2794	1370	2435	3300	4125	4950	205
120	3048	1494	2657	3600	4500	5400	224
130	3302	1619	2878	3900	4875	5850	243
140	3556	1743	3099	4200	5250	6300	262
150	3810	1868	3321	4500	5625	6750	280
160	4064	1992	3542	4800	6000	7200	299
170	4318	2117	3763	5100	6375	7650	318
180	4572	2241	3985	5400	6750	8100	336
190	4826	2366	4206	5700	7125	8550	355
200	5080	2491	4428	6000	7500	9000	374

Ceiling Mount Chart

Ceiling mount screw: M6
(Max L = 25 mm; Min L = 20 mm)



16:9 Screen diagonal



BenQ Europe B.V.

Meerenakkerweg 1-17
5652 AR Eindhoven
The Netherlands
Tel: +31 88 8889200
Fax: +31 88 8889299

BenQ.eu

© 2018 BenQ Corp. Specification may vary by region, please visit your local stores for details.
Actual product's features and specifications are subject to change without notice.
This material may include corporate names and trademarks of third parties which are the
properties of the third parties respectively.

BENQ