



LU9715
Digital Projector
Installation Guide



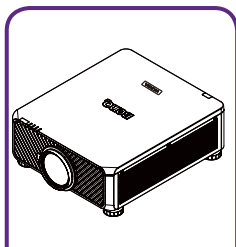
Table of Contents

Product information	3
Packing contents.....	3
Projector specifications.....	4
Projector exterior view.....	4
Terminals.....	5
Control panel	5
Remote control.....	5
Installation	6
Lens specifications	6
Projection table.....	7
Lens shift.....	9
Installation positioning	10
Dimensions	11
Cabinet dimensions	11
Ceiling mount hole dimensions.....	11
Optional lens dimensions.....	12
Ventilation	13
Ventilation illustration	13
Exhaust vent requirements	13
Installation notice.....	14
Interlock switch.....	14
Voltage switcher	14
PIP matrix.....	15
Adjustment feet	15
LED indication	16
RS232 control	17

Product information

Packing contents

Carefully unpack and verify that you have the items below. Some of the items may not be available depending on your region of purchase. Please check with your place of purchase.



Projector
without lens



Remote
without AA batteries



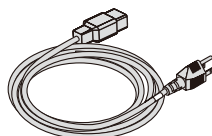
Warranty card



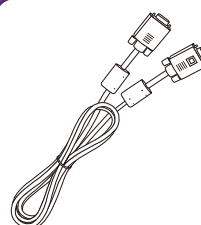
User manual CD



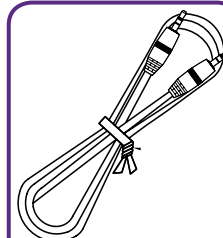
Quick start guide



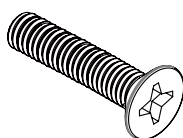
Power cable



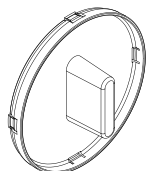
VGA cable



Wired remote cable



Anti-Theft screw



Lens hole cap

Projector specifications

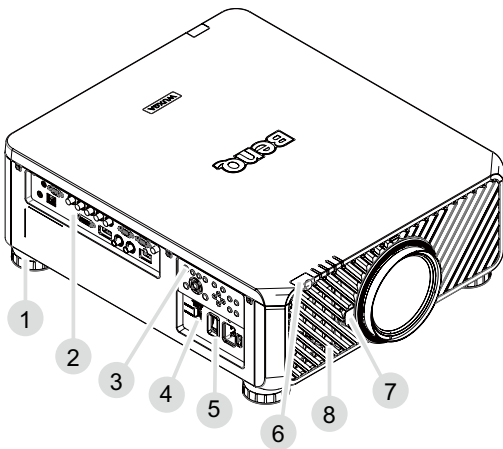
Specifications	LU9715
Projection system	DLP Single 0.67 WUXGA DMD Chip
Native resolution	WUXGA (1920 x 1200)
Brightness	8000 Lumens
Aspect ratio	16:10
Light source	Laser Light Source
Power consumption	885W (Max.) / 850W (Normal mode) / 675W (Eco mode)
Dimensions	583mm (L) x 500mm (W) x 211mm (H)
Weight	28kg / 61.7 lbs (Lens excluded)
Operation Temperature	32°F to 104°F (0°C to 40°C)

Note:

- Brightness is supplied by standard lens. The value will vary depending on lenses being installed.
- Brightness output will vary depending on each unit and actual usage.
- Please visit the local website from <http://www.benq.com> for the latest User Manual.

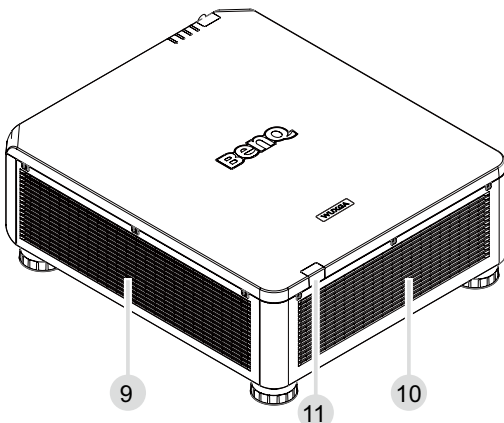
Projector exterior view

Front and upper side view



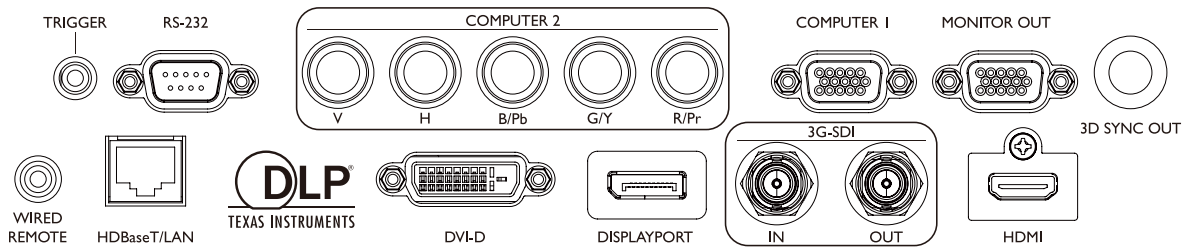
1. Foot for adjusting projector level
2. IO panel
3. Control panel
4. Slide switch (voltage selection)
5. AC power switch
6. Front IR sensor
7. Lens release button
8. Air intake

Rear and upper side view

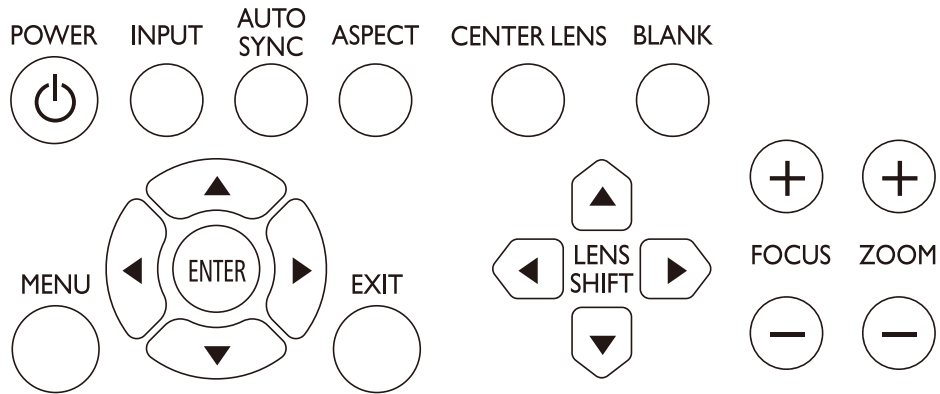


9. Air intake
10. Air exhaust
11. Rear IR sensor

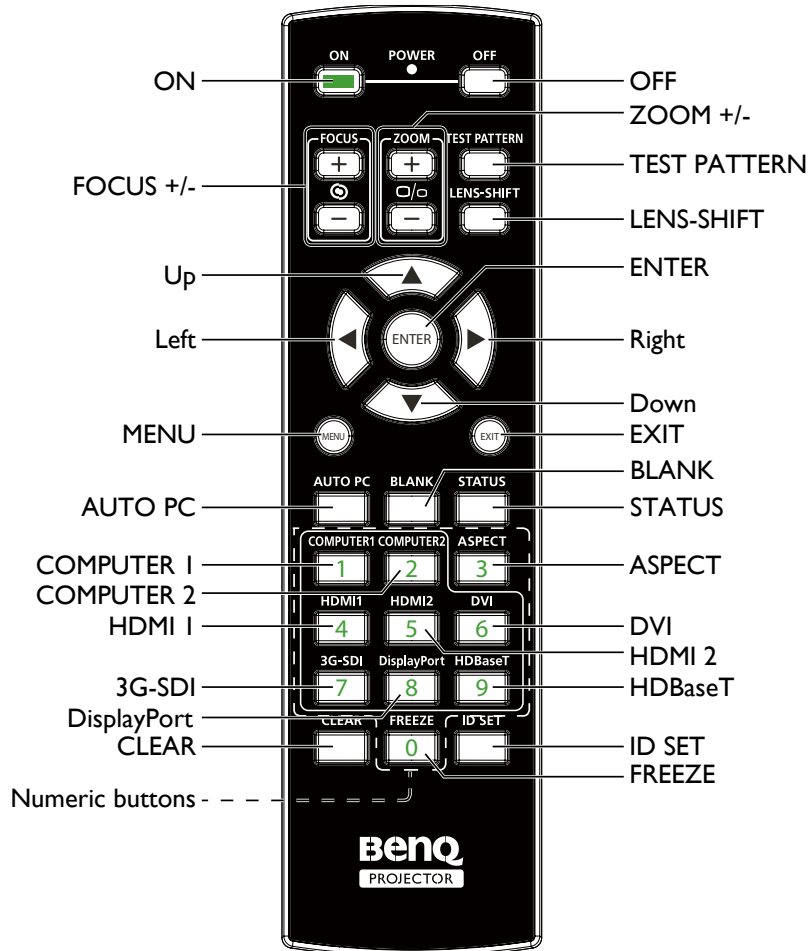
Terminals



Control panel



Remote control



Installation

Lens specifications

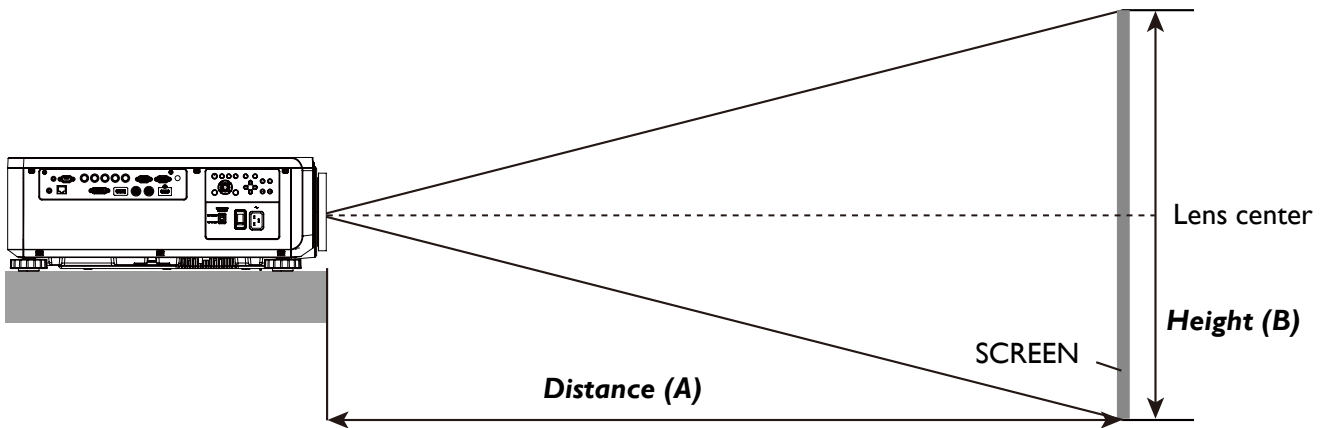
Model Name	Lens Type	BenQ Part Number	Optical spec	Throw Ratio	Zoom Ratio	Weight*
LS1ST4	Ultra Short Throw	5J.JCY37.002	F=2.0, f=5.64 mm	0.38:1	Fixed	2,710g
LS1ST3	Wide fix	5J.JAM37.011	F=1.85, f=11.6mm	0.76:1	Fixed	910g
LS1ST2	Ultra Wide	5J.JAM37.061	F=1.96~2.3, f=11.3~14.1mm	0.75~0.93:1	1.25:1	1,280g
LS1ST1	Wide Zoom	5J.JAM37.021	F=1.85~2.5, f=18.7~26.5mm	1.25~1.79:1	1.41:1	1,090g
LS1SD	Standard	5J.JAM37.001	F=1.7~1.9, f=26~34mm	1.73~2.27:1	1.3:1	820g
LS1LT1	Semi Long	5J.JAM37.051	F=1.86~2.48, f=32.9~54.2mm	2.22~3.67:1	1.65:1	950g
LS1LT2	Long Zoom1	5J.JAM37.031	F=1.85~2.41, f=52.8~79.1mm	3.58~5.38:1	1.5:1	1,020g
LS1LT3	Long Zoom2	5J.JAM37.041	F=1.85~2.48, f=78.5~121.9mm	5.31~8.26:1	1.55:1	1,350g



Note:

The values listed in the table above are average and may vary by model.

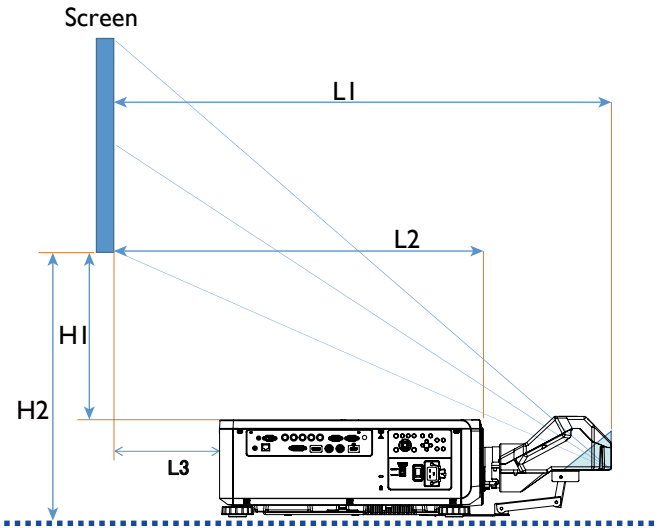
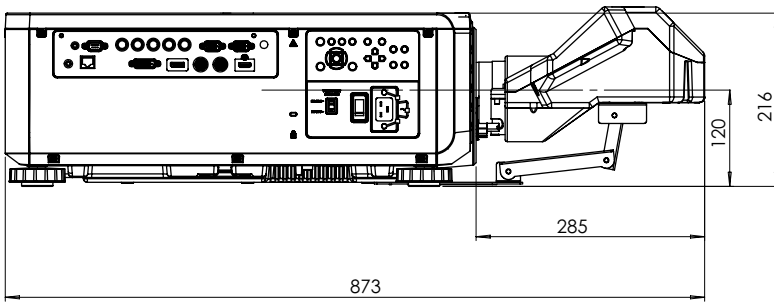
Projection table



LU9715

Screen Size						5J.JAM37.011		5J.JAM37.021				5J.JAM37.001				5J.JAM37.051			
						Wide Fix Lens		Wide Zoom Lens				STD Lens				Semi long Zoom1			
Diagonal		Width		Height (B)		Distance (A)													
						Fixed		Wide		Tele		Wide		Tele		Wide		Tele	
(inch)	(m)	(inch)	(m)	(inch)	(m)	(inch)	(m)	(inch)	(m)	(inch)	(m)	(inch)	(m)	(inch)	(m)	(inch)	(m)	(inch)	(m)
40	1.02	34	0.86	21	0.54	25.1	0.64	41.4	1.05	59.9	1.52	57.2	1.45	75.8	1.93	73.6	1.87	124.1	3.15
50	1.27	42	1.08	26	0.67	31.8	0.81	52.3	1.33	75.4	1.92	72.1	1.83	95.5	2.42	92.9	2.36	155.9	3.96
60	1.52	51	1.29	32	0.81	38.5	0.98	63.1	1.60	90.9	2.31	87.1	2.21	115.1	2.92	112.1	2.85	187.8	4.77
80	2.03	68	1.72	42	1.08	52.0	1.32	84.9	2.16	121.8	3.09	117.0	2.97	154.3	3.92	150.5	3.82	251.4	6.39
100	2.54	85	2.15	53	1.35	65.5	1.66	106.6	2.71	152.7	3.88	147.0	3.73	193.5	4.92	188.9	4.80	315.0	8.00
120	3.05	102	2.58	64	1.62	78.9	2.01	128.4	3.26	183.6	4.66	176.9	4.49	232.8	5.91	227.6	5.78	378.6	9.62
150	3.81	127	3.23	79	2.02	99.1	2.52	161.0	4.09	230.0	5.84	221.8	5.63	291.6	7.41	285.0	7.24	474.1	12.04
180	4.57	153	3.88	95	2.42	119.3	3.03	193.6	4.92	276.4	7.02	266.7	6.77	350.5	8.90	342.6	8.70	569.5	14.47
200	5.08	170	4.31	106	2.69	132.8	3.37	215.3	5.47	307.3	7.81	296.6	7.53	389.7	9.90	381.0	9.68	633.1	16.08
300	7.62	254	6.46	159	4.04	200.1	5.08	324.0	8.23	461.9	11.73	446.3	11.34	585.9	14.9	573.2	14.56	951.2	24.16
400	10.16	339	8.62	212	5.38	267.4	6.79	432.7	10.99	616.6	15.66	595.9	15.14	782.3	19.87	765.3	19.44	1269.7	32.25
500	12.70	424	10.77	265	6.73	334.8	8.50	541.5	13.75	771.2	19.59	745.6	18.94	978.3	24.85	957.4	24.32	1587.8	40.33

Screen Size						5J.JAM37.031				5J.JAM37.041				5J.JAM37.061			
						Long Zoom 1 Lens				Long zoom 2 Lens				Ultra Wide zoom Lens			
Diagonal		Width		Height (B)		Distance (A)											
						Wide		Tele		Wide		Tele		Wide		Tele	
(inch)	(m)	(inch)	(m)	(inch)	(m)	(inch)	(m)	(inch)	(m)	(inch)	(m)	(inch)	(m)	(inch)	(m)	(inch)	(m)
40	1.02	34	0.86	21	0.54	118.7	3.01	181.0	4.60	173.9	4.42	277.7	7.05	24.5	0.62	31.1	0.79
50	1.27	42	1.08	26	0.67	149.7	3.80	227.6	5.78	220.2	5.59	350.0	8.89	31.1	0.79	39.2	1.00
60	1.52	51	1.29	32	0.81	180.7	4.59	274.1	6.96	266.6	6.77	422.3	10.73	37.6	0.96	47.4	1.20
80	2.03	68	1.72	42	1.08	242.7	6.16	367.3	9.33	359.4	9.13	567.0	14.40	50.8	1.29	63.8	1.62
100	2.54	85	2.15	53	1.35	304.3	7.73	460.4	11.70	452.1	11.48	711.6	18.07	63.9	1.62	80.2	2.04
120	3.05	102	2.58	64	1.62	366.7	9.31	553.6	14.06	544.9	13.84	856.2	21.75	77.1	1.96	96.6	2.45
150	3.81	127	3.23	79	2.02	459.4	11.67	693.3	17.61	684.0	17.37	1073.1	27.26	96.8	2.46	121.1	3.08
180	4.57	153	3.88	95	2.42	552.4	14.03	833.0	21.16	823.1	20.91	1290.1	32.77	116.5	2.96	145.7	3.70
200	5.08	170	4.31	106	2.69	614.7	15.6	926.4	23.53	915.9	23.26	1434.7	36.44	129.7	3.29	162.1	4.12
300	7.62	254	6.46	159	4.04	924.0	23.47	1392.1	35.36	1379.6	35.04	2157.8	54.81	195.4	4.96	244.0	6.20
400	10.16	339	8.62	212	5.38	1233.9	31.34	1857.9	47.19	1843.3	46.82	2880.9	73.18	261.2	6.63	325.9	8.28
500	12.70	424	10.77	265	6.73	1543.7	39.21	2323.6	59.02	2307.1	58.60	3604.0	91.54	326.9	8.30	407.7	10.36



L1: Screen to the point of mirror

L2: Screen to projector front

L3: Screen to project back

H1: Screen bottom to projector top side

H2: Screen bottom to projector bottom

Screen size						5J.JCY37.001									
						Ultra Short Reflection									
Diagonal		Width		Height		H1		H2		L1		L2		L3	
inch	mm	inch	mm	inch	mm	inch	mm	inch	mm	inch	mm	inch	mm	inch	mm
100	2540	85	2166	53	1355	19	485	28	701	33	849	22	564	-1	-24
120	3048	102	2599	64	1627	23	596	32	812	39	1000	28	715	5	127
150	3810	128	3247	80	2032	30	763	39	979	48	1227	37	942	14	354
200	5080	170	4330	107	2711	41	1041	49	1257	63	1606	52	1321	29	733
250	6350	213	5415	133	3391	52	1320	60	1536	78	1984	67	1699	44	1111
300	7620	256	6500	160	4071	63	1598	71	1814	93	2362	82	2077	59	1489
350	8890	299	7585	187	4752	74	1877	82	2093	108	2741	97	2456	74	1868

Note:

- For more visualized instructions, please go to BenQ calculator website.
- Precise installation is preferred to be done by professionals. Contact your dealer for more information.
- When UST lens is installed to the projector, it is recommended to loosen the screw on the support kit and make the arm movable before adjustment.
- The User Manual for UST Lens installation is available from local BenQ website.

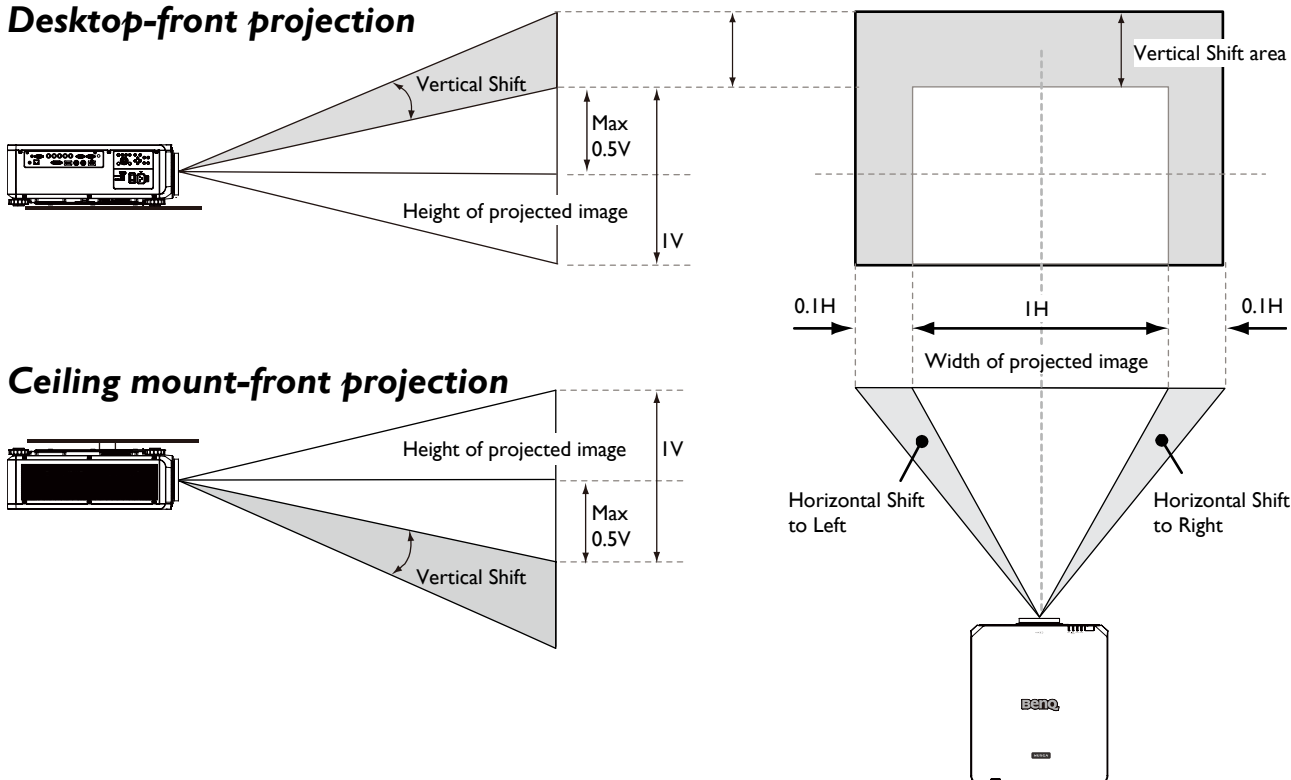
Lens shift

Lens shift adjustable range

The adjustable range for lens shift is tabulated below and subject to the conditions listed.

Model Name	Lens Type	BenQ Part Number	Lens Shift Range
LS1ST4	Ultra Short Throw	5J.JCY37.002	-3% ~ +7% Vertical; -5% ~ +5% Horizontal (Central position at 56.5%)
LS1ST3	Wide fix	5J.JAM37.011	NA
LS1ST2	Ultra Wide	5J.JAM37.061	0 ~ +50% Vertical; -6.7% ~ +6.7% Horizontal
LS1ST1	Wide Zoom	5J.JAM37.021	0 ~ +50% Vertical; -10% ~ +10% Horizontal
LS1SD	Standard	5J.JAM37.001	0 ~ +50% Vertical; -10% ~ +10% Horizontal
LS1LT1	Semi Long	5J.JAM37.051	0 ~ +50% Vertical; -10% ~ +10% Horizontal
LS1LT2	Long Zoom1	5J.JAM37.031	0 ~ +50% Vertical; -10% ~ +10% Horizontal
LS1LT3	Long Zoom2	5J.JAM37.041	0 ~ +50% Vertical; -10% ~ +10% Horizontal

Desktop-front projection

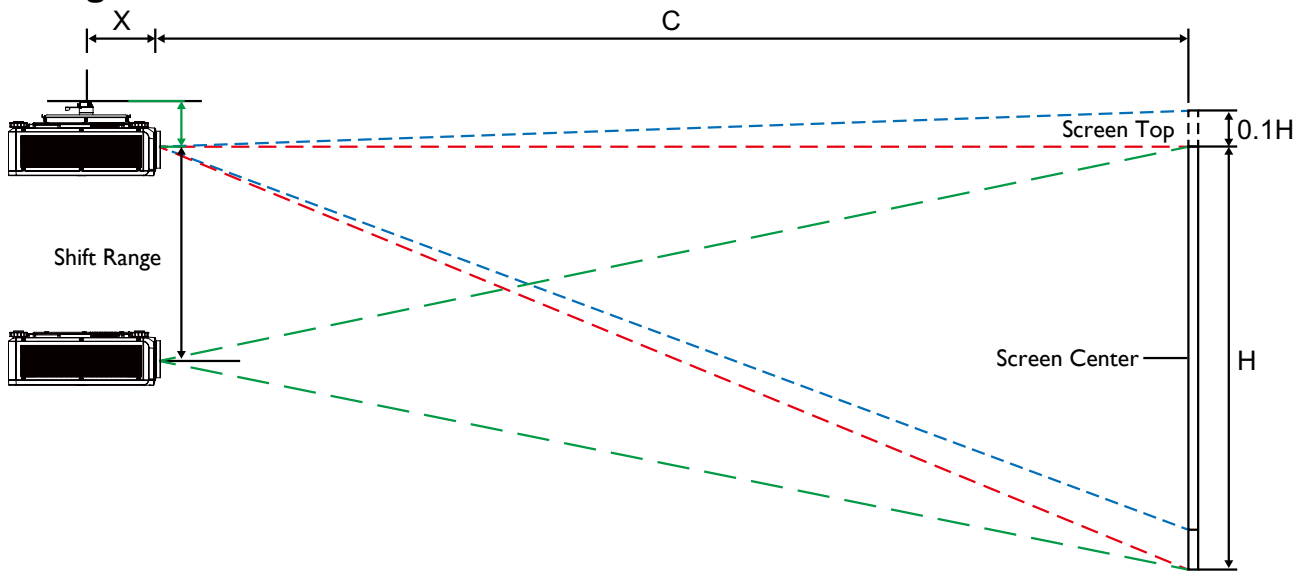


Note:

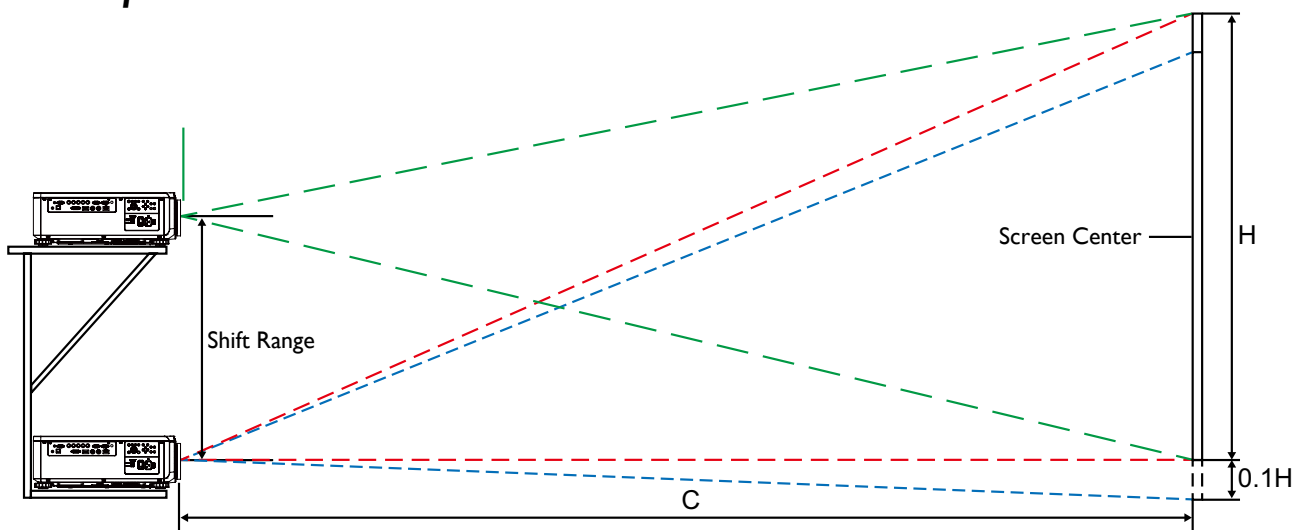
The drawings above apply to the standard lens only.

Installation positioning

Ceiling mount installation

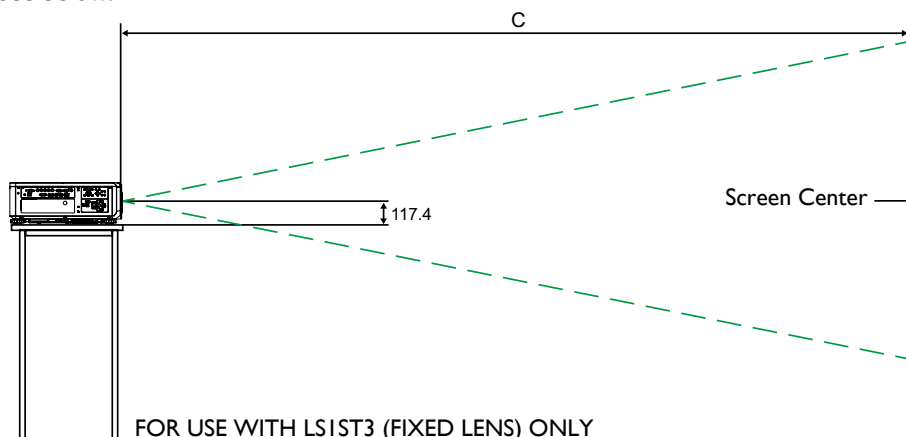


Desktop installation



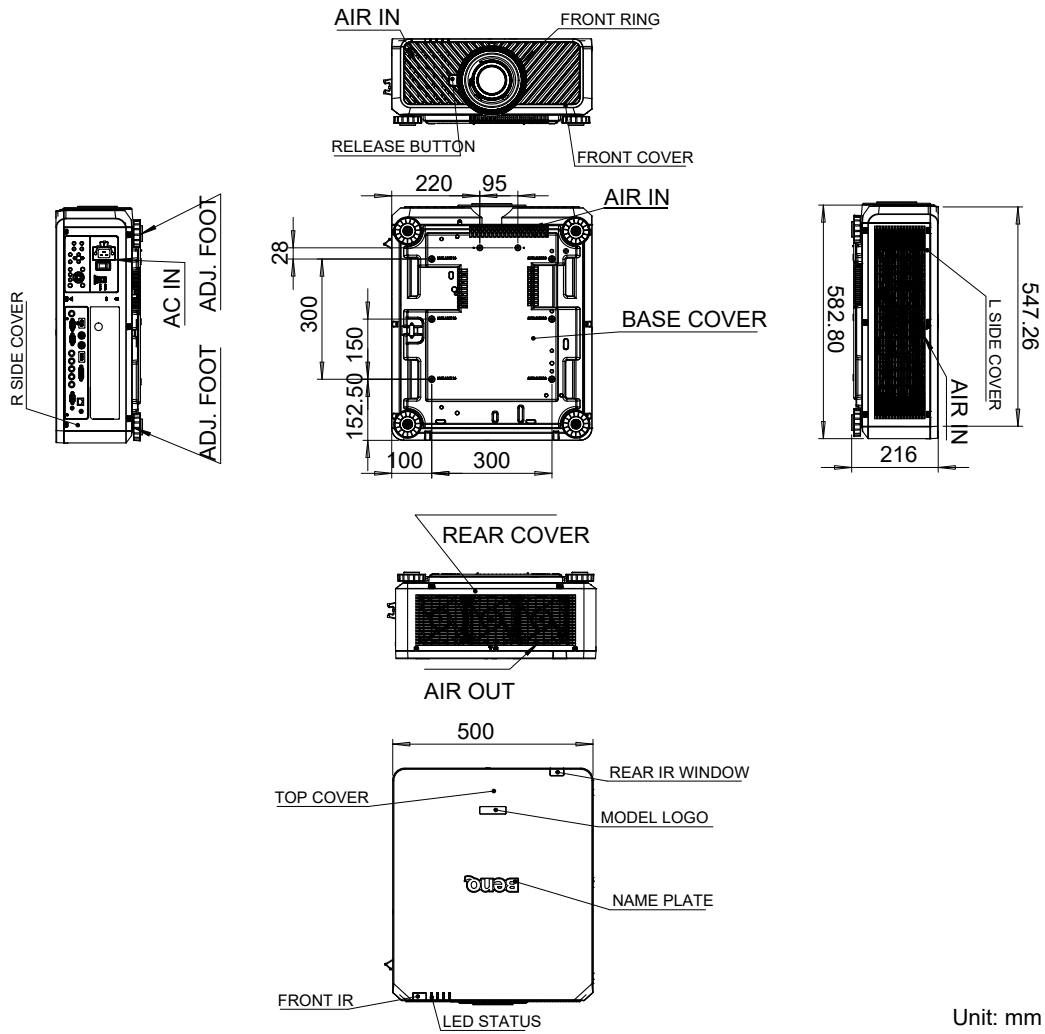
Note:

- Lens Shift function is not available to LSIST3 (Fixed Lens). This lens should be used for "zero degree"/"no-offset" applications. See below:



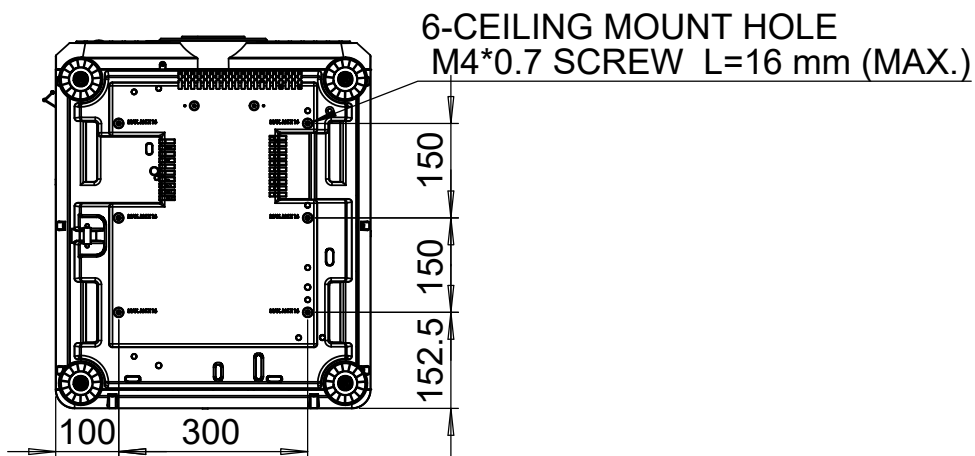
Dimensions

Cabinet dimensions



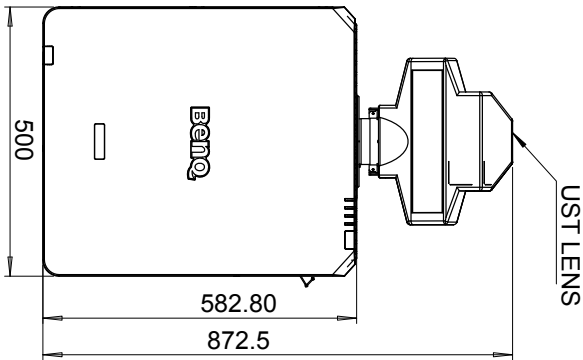
Unit: mm

Ceiling mount hole dimensions

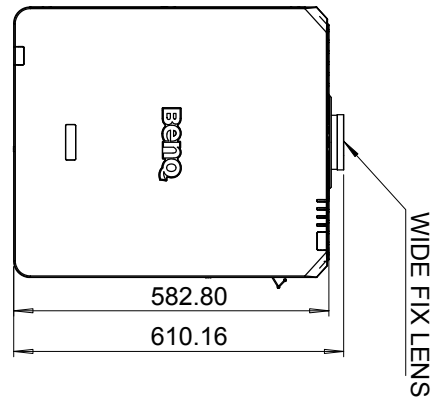


Optional lens dimensions

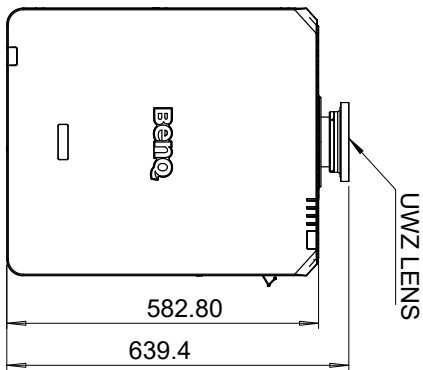
Optional Lens (UST: LSIST4)



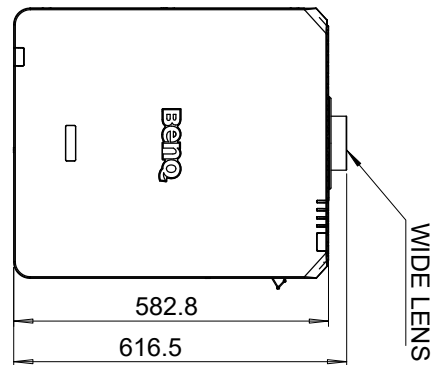
Optional Lens (WIDE FIX: LSIST3)



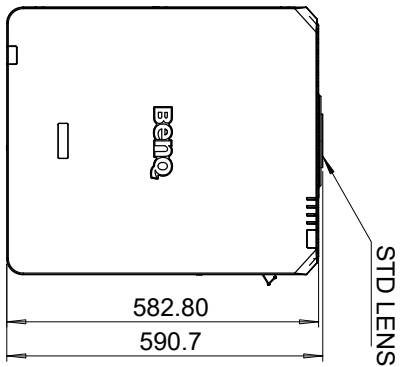
Optional Lens (UWZ: LSIST2)



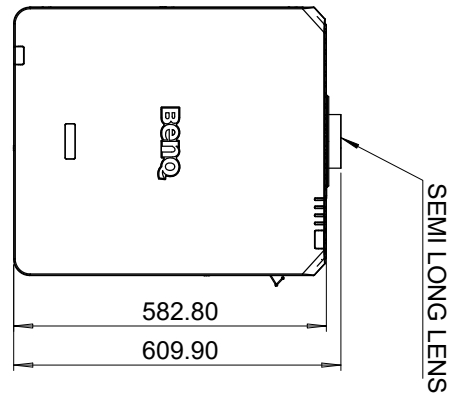
Optional Lens (WIDE: LSIST1)



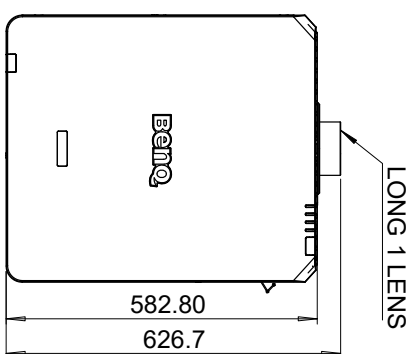
Optional Lens (STD: LSISD)



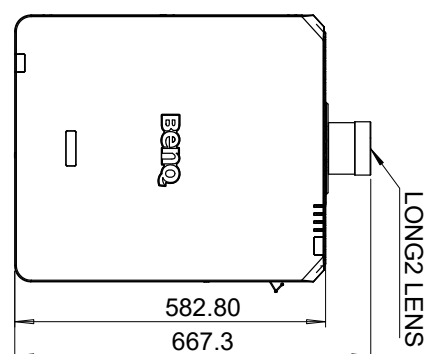
Optional Lens (SEMI: LSILT1)



Optional Lens (LONG1: LSILT2)

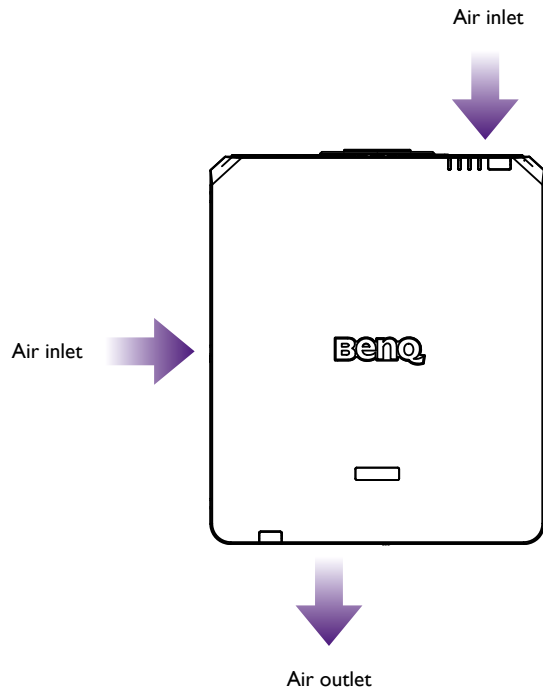


Optional Lens (LONG2: LSILT3)



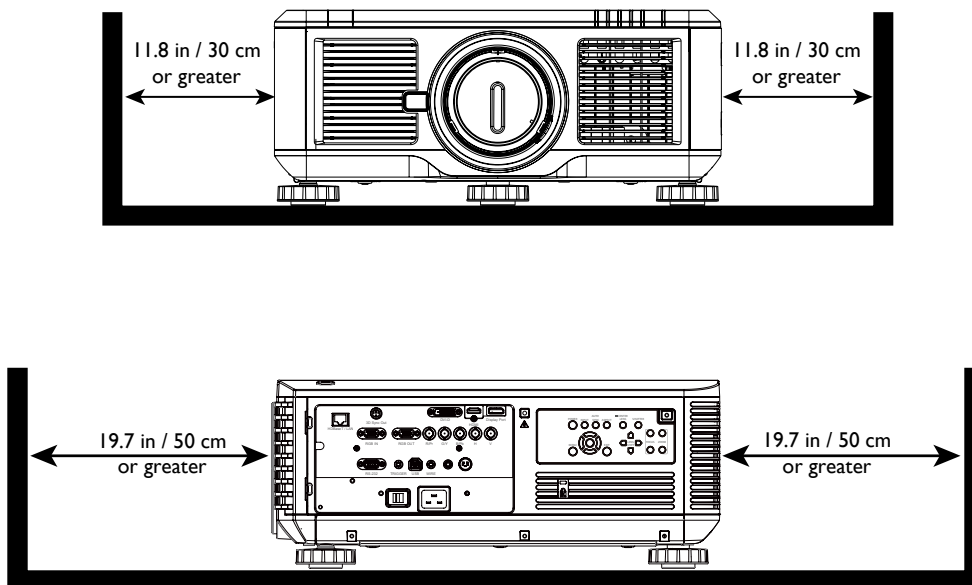
Ventilation

Ventilation illustration



Exhaust vent requirements

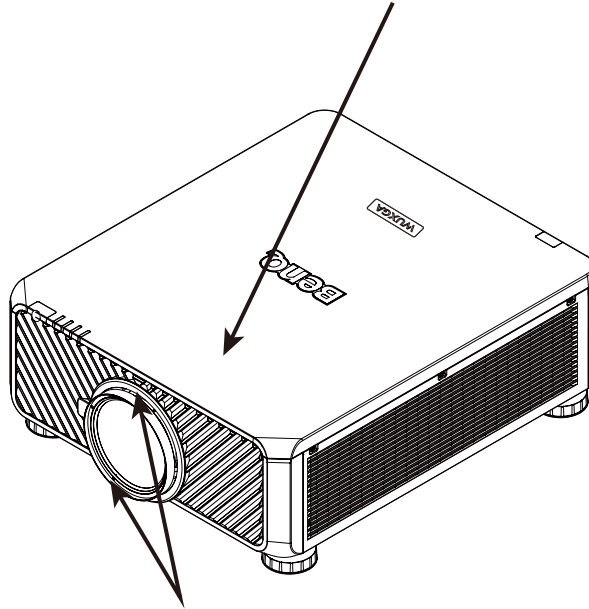
For proper ventilation of the projector, make sure to leave some space around the projector as shown in the illustration below:



Installation notice

Interlock switch

Do not remove the top cover. Otherwise, the projector will be powered off.



Do not remove the projection lens. Otherwise, the projector will be powered off.

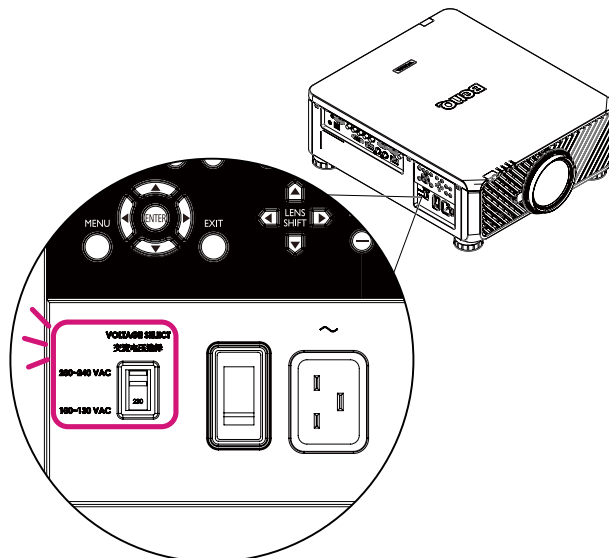
Voltage switcher

Please make sure the Voltage Switch is selected at the right voltage in the region where projector is being used.



Note:

Default setting is 230V.



PIP matrix

Main / PIP Matrix

Main Source PIP source	COMPUTER1	COMPUTER2	HDMI	DisplayPort	HDBaseT	3G-SDI	DVI-D
COMPUTER1	-	-	-	Δ	○	-	○
COMPUTER2	-	-	-	Δ	○	-	○
HDMI	-	-	-	Δ	○	-	○
DisplayPort	Δ	Δ	Δ	-	-	Δ	-
HDBaseT	○	○	○	-	-	-	-
3G-SDI	-	-	-	Δ	○	-	○
DVI-D	○	○	○	-	-	○	-

○: Allowed combination

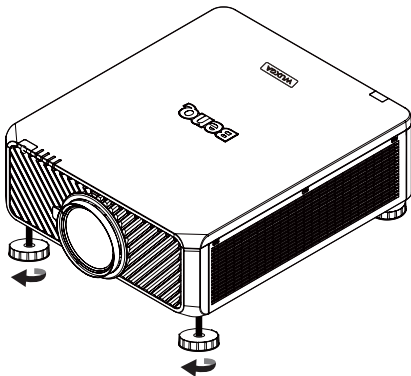
- : Forbidden combination

Δ : Allowed combination (Pixel rate < 165MHz)

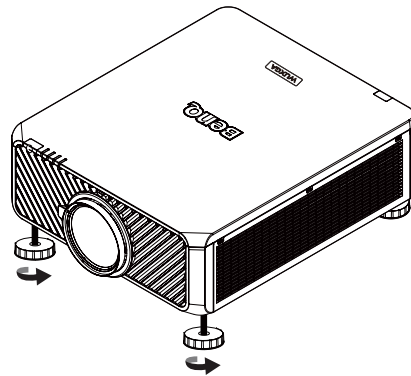
Adjustment feet

There are four adjuster feet on the bottom of the projector, these can be used if it is necessary to change the projection angle. Screw the feet in or out as appropriate to aim and level the projection angle.

1. Twist the adjusters clockwise to raise the level of the projector.



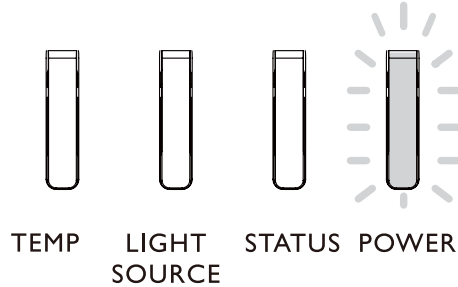
2. To lower the level of the projector, lift the projector and twist the adjusters counter clockwise.



LED indication

Indicator messages

Several indicator messages are used by the projector to alert users about problems with setup or system error. The LEDs on top cover of the projector illustrated below.



TEMP LED

LED display		Projector status	Operation tips
Off		Normal status	
Flashing	Red	Over temperature error	Contact with your nearest authorized dealer or service center.

LIGHT SOURCE LED

LED display		Projector status	Operation tips
Off		Light source is off	
Flashing	Green	Projector is turning on	
	Red (Cycles of 6)	Light source is end-of-life	Please call the local service center.
On	Red	Light source problem	Please call the local service center.
	Green	Light source is on	

STATUS LED indicator

LED display		Projector status	Operation tips
Close		Normal	
Flashing	Red (once)	Safety switch error	Please check whether the top cover is well assembled or lens is well installed or not. If the problem persists, call the local service center.
	Red (quadruple)	Fan error	Call the local service center.
Lights up	Red	System error	Call the local service center.


POWER LED indicator

LED display		Projector status	Operation tips
Close		AC power turned off	Check AC power source and power on the projector.
Flashing	Green	Ready to power on the projector	Wait until the projector starts projecting.
	Orange	The projector is cooling down	
Lights up	Red	Standby mode	To power on the projector, press the ON key on the remote controller or the Power key on the control panel.
	Green	Projector powered on	

RS232 control

RS232 pin assignment

No.	Serial	No.	Serial
1	N.C	6	N.C
2	RXD	7	Short with pin8
3	TXD	8	Short with pin7
4	N.C	9	N.C
5	Ground		



Note:

- RS232 Baud rate: 9600
- For complete RS232 Command list, please download LU9715 User Manual from local BenQ website.