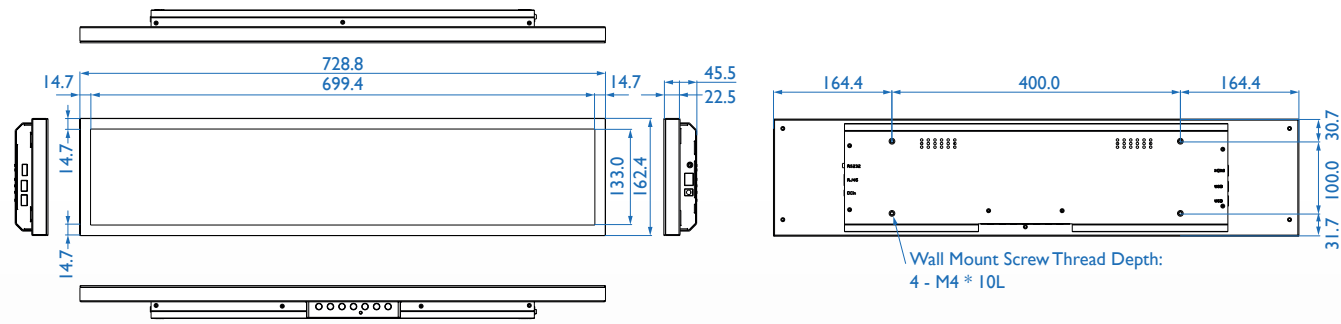
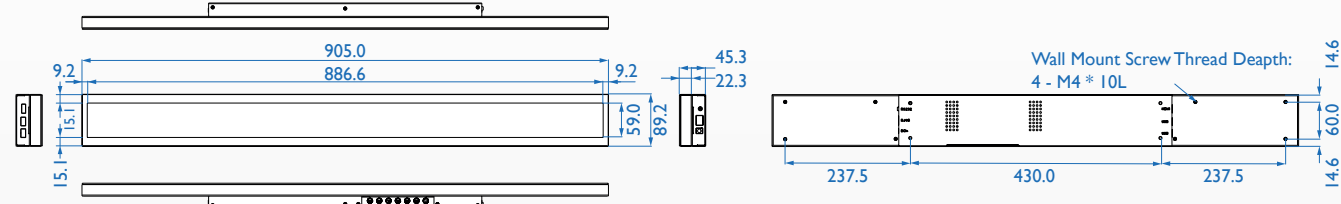


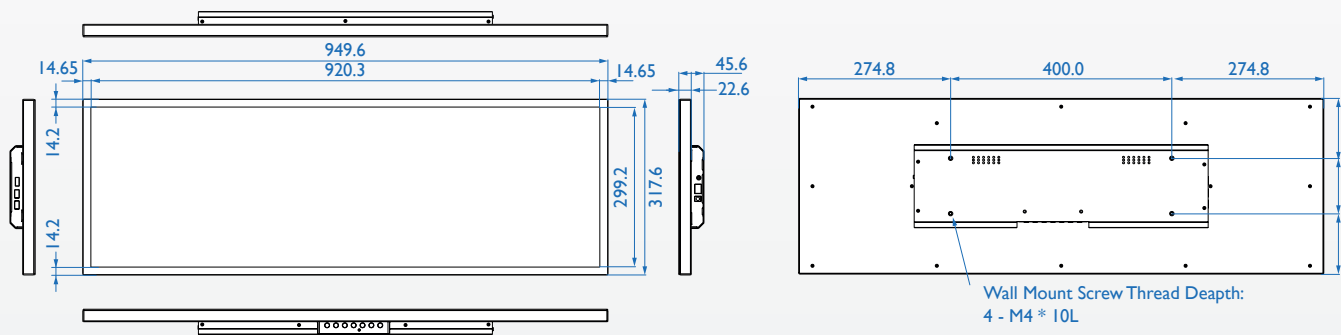
### BH280I



### BH350I

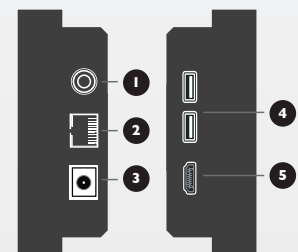


### BH380I

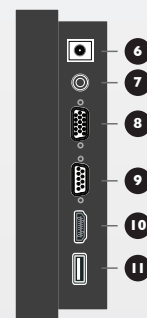


## Input/output terminals

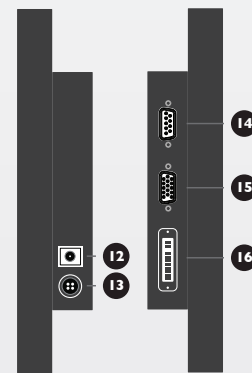
BH240I / BH280I / BH350I / BH380I



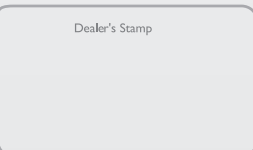
BH281



BH380



- 1 RS232 (3.5mm)**  
Receives control signals from a computer or another display.
- 2 LAN**  
Connects to the RJ-45 port on your Ethernet or router.
- 3 6 DC IN**  
Connects to a power outlet via the supplied power cord and adapter.
- 4 11 USB(2.0)**  
Accesses multimedia files on USB drives directly.
- 5 10 HDMI IN**  
Receives HDMI signals from an external device.
- 7 Line IN**  
Inputs audio signals from an external device.
- 8 15 VGA**  
Receives analog RGB signals from an external device (such as a computer).
- 9 14 RS232**  
Receives control signals from a computer or another display.
- 12 DC 24V Input**
- 13 DC 12V Output**
- 16 DVI port**



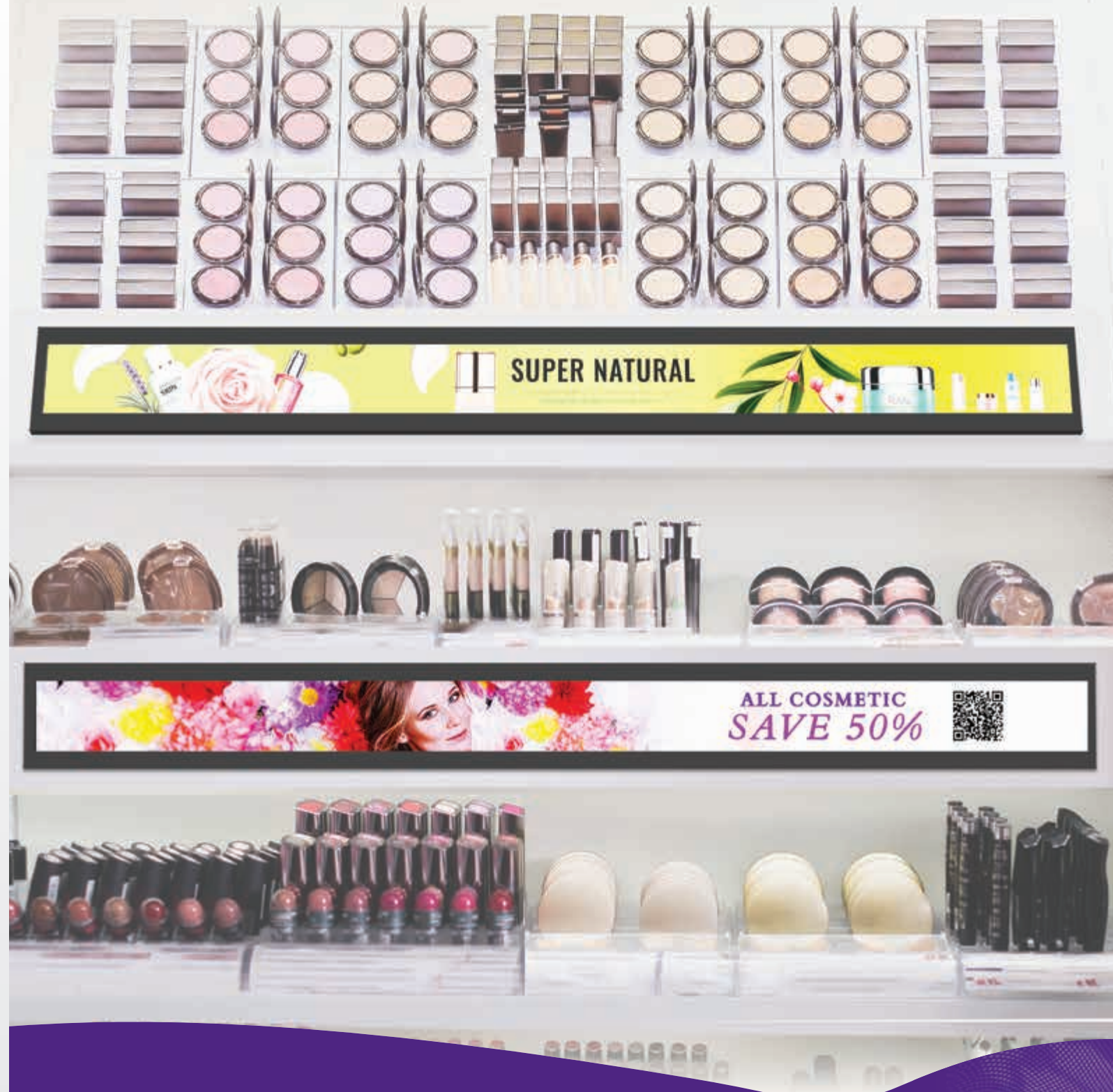
Android is a trademark of Google Inc. The Android robot is reproduced or modified from work created and shared by Google and used according to terms described in the Creative Commons 3.0 Attribution License.

© 2018 BenQ Corp. Specification may vary by region, please visit your local stores for details. Actual product's features and specifications are subject to change without notice. This material may include corporate names and trademarks of third parties which are the properties of the third parties respectively. Doc: DSP\_BH281 / BH380 / BH240I / BH280I / BH350I / BH380I\_DS\_EN\_201806



# BenQ Bar-Type Display

Where there is space, there is opportunity for adaptable perfection.



BH281 / BH380 / BH240I / BH280I / BH350I / BH380I



# EYE-CATCHING SIGNAGE FOR EVERY SPACE

## The Comprehensive On-the-Shelf Marketing Solution



BenQ's Bar Type Displays, ideal for point-of-sale marketing, come in a wide variety of sizes. For the narrowest spaces, such as on front of shelves, BH2401 (63\*9 cm) and BH3501 (90\*9 cm) are perfect fits. And for advertising above shelves or in other limited spaces, BH281 (73\*17 cm), BH2801 (73\*12 cm), BH380 (98\*30 cm), and BH3801 (95\*32 cm) offer maximal screen size and message impact

in convenient long-and-narrow form factors. For retail operators that want to optimize shelf space to increase revenue with last mile promotions, BenQ's Bar Type displays are the leading choice. Every Bar Type display comes packaged with X-Sign, BenQ's exclusive signage management software. X-Sign makes it easy to design, display, and replace dynamic content,

such as videos and scrolling text, which are more efficient than static ads. More importantly, BenQ's Bar Type displays provide an ideal combination of hardware features. Especially designed to fit on shelves, BenQ Bar Type signage is a perfect match for numerous retail configurations. Meanwhile, having Android built in means that BenQ Bar Type displays are truly plug-and-play, all-in-one devices – no external media player, external speakers, or unsightly cables required. Furthermore, anti-reflective glass-coated screens lend the Bar Type series of displays a fashionable allure that integrates seamlessly into boutique and high-end retail operations.

## All-in-One, Clutter Free Solution

### Android Built-In

Built-in Android\* means that the BenQ Bar Type Display is ready to work as soon as operators plug it in. There's no need to hook it up to a PC or other device to serve content, and embedded speakers provide for the BenQ Bar Type Display's audio needs. With no cables to hide, the all-in-one BenQ Bar Type Display fits neatly on shelves and reduces clutter.

### USB Plug & Play

The BenQ Bar Type Display's plug-and-play\* simplicity enables you to access and play multimedia files directly from a USB flash drive. Requiring no PC connection or complicated cable setup, the BenQ Bar Type Display ensures a holistic shopping experience with the most hassle-free installation.

### Flexible Installation

The BenQ Bar Type Display's special long-and-narrow design lets it fit anywhere on a shelf, making a large impact while using little space. By replacing ordinary paper price tags with audio and video content, the BenQ Bar Type Display is built to attract customers' attention and boost sales.



## Elegant, Durable Display Cover

### Anti-Reflective Glass

The BenQ Bar Type Display's front panel is covered with high-performance anti-reflective glass\* that ensures content is always vibrant and clear. With a beautiful design that looks like an integral part of the shelves it sits on, the BenQ Bar Type Display can confer a distinctive premium atmosphere to retail outlets and boost brand positioning.



## 24/7 Non-Stop Operation

A 55,000-hour\* lifespan and industrial-class performance make the BenQ Bar Type Display far more economical than consumer display models. Built especially for business use with advanced panel technology, the BenQ Bar Type Display can provide reliable 24/7 non-stop performance for years and years.

## Flawless Display in Portrait and Landscape View

Unlike anything else available on the market, BenQ Bar Type displays are built to ensure flawless portrait and landscape view. This choice between vertical and horizontal installation greatly increases flexibility when operators are designing and arranging their stores.

## High Brightness

At 1000 nits brightness\*, the BenQ Bar Type Display can provide striking colors and clarity in brightly lit environments, facilitating both indoor and semi-outdoor applications.





## Integrated X-Sign 2.0 Software with Bar Type Content Templates

### X-Sign Designer

BenQ's X-Sign 2.0\* takes the hassle out of designing signage content. Included with the Bar Type Display, BenQ's exclusive X-Sign software provides content templates that are especially designed for long-and-narrow bar-type displays, making it easy for operators to quickly design and roll out new promotional material. The templates also let operators add images, videos, and scrolling text to their marketing materials. The long-size templates let operators create marketing content easily while the ability to enrich materials with media content will boost the store's bottom line.



### Real Time Messages

X-Sign lets operators push real-time messages to the display network to create instant excitement.



### Instant Price Updates

Updating prices and other fluctuating content is easy. Operators just need to modify a centralized .csv file in the cloud.



### QR Code Interaction and Analysis

X-Sign allows operators to embed QR Codes that, when scanned, can offer customers the latest promotional information. X-Sign also offers QR Code analysis to let operators see when and where customers are interacting with content. This analysis can help operators quickly adjust their offers to match customer interest.

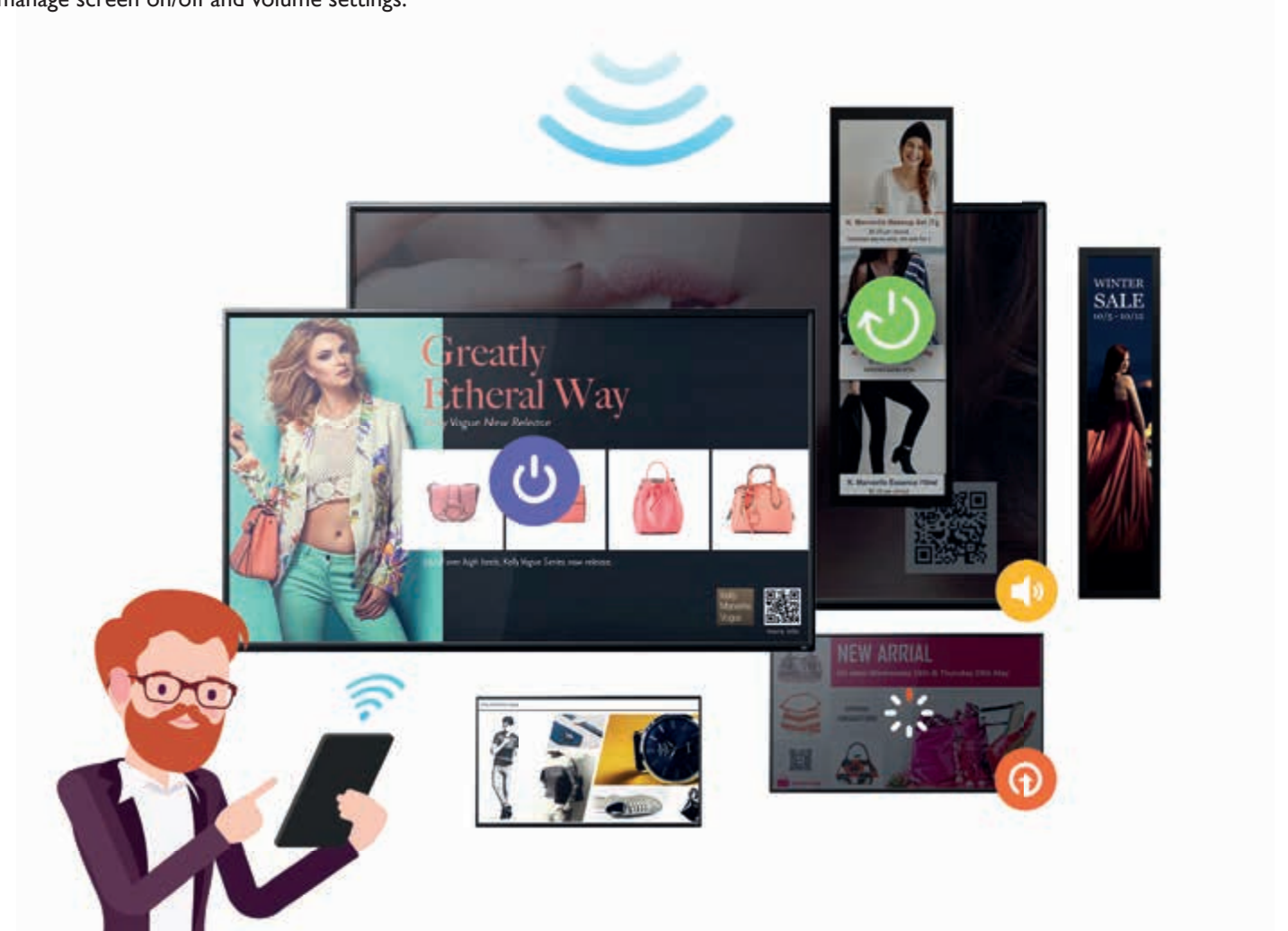


### Broadcast YouTube Live Streaming across Multiple Displays

With X-Sign, operators can insert live YouTube broadcasts of product launches on Smart Signage in real time, which makes promoting new products instant and easy.

## Centralized Remote Display Management

X-Sign's intuitive interface makes it easy for operators to monitor and manage all remote displays from a central, off-site location. With X-Sign, operators can keep tabs on display performance in real-time and receive instant alerts about any issues. Loaded with functionality, X-Sign also allows operators to see what content is playing on each display, manage updates, restart displays, and manage screen on/off and volume settings.



## Hassle-free Display Management



**MDA**  
(Multiple Display Administrator)

Operators can remotely control display on/off time or backlight via LAN or RS232.



**DMS 1.0**  
(Display Management System)

Install Android™ apps for a selection of displays through BenQ's cloud server.



**OTA**  
(Over-the-Air) Update

Keep all display drivers up-to-date with easy firmware update.

# Specifications

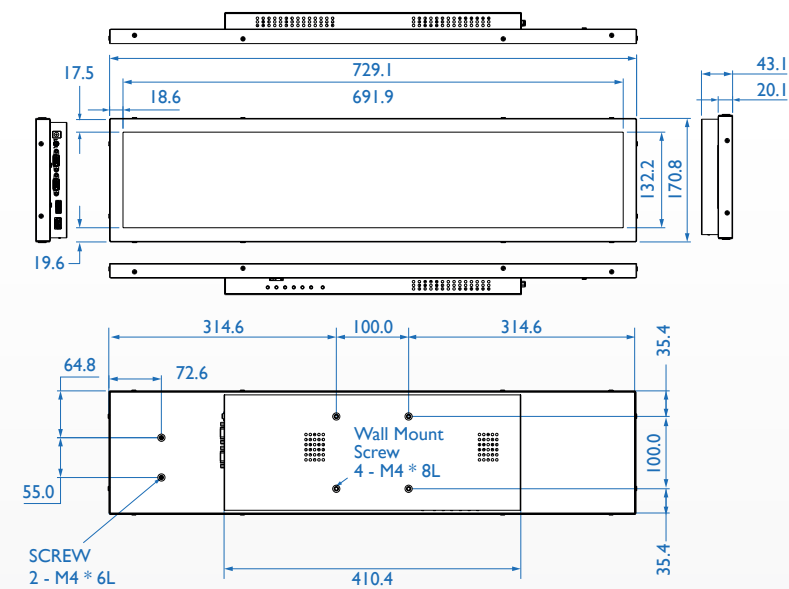
| Model        | BH281   | BH380                                     | BH2401   | BH2801   | BH3501                           | BH3801                          |                                  |
|--------------|---|---|--|--|----------------------------------|---------------------------------|----------------------------------|
| Panel        | Screen Size   | 27.6"                                     | 38"  | 24"  | 28"                              | 35"                             | 38"                              |
|              | Backlight/Lightsource   | E-LED                                     | E-LED  | E-LED  | E-LED                            | E-LED                           | E-LED                            |
|              | Active Area (horizontal × vertical)(mm)                               | 688.9 × 129.2 mm                          | 919.3 × 257.6 mm   | 598.6 × 59.0 mm  | 699.4 × 133.0 mm                 | 886.6 × 59.0 mm                 | 920.3 × 289.2 mm                 |
|              | Resolution (pixels)   | 1920 × 360                                | 1920 × 545   | 1920 × 190   | 1920 × 360                       | 1920 × 130                      | 1920 × 600                       |
|              | Brightness (typical)  | 1,000 nits                                | 800 nits   | 1000 nits  | 1000 nits                        | 1000 nits                       | 1000 nits                        |
|              | Contrast Ratio (typical)  | 1000:1                                    | 4000:1   | 3000:1   | 3000:1                           | 3000:1                          | 3000:1                           |
|              | Aspect Ratio  | 16:3                                      | 32:9   | 16:1.6   | 16:3                             | 16:1                            | 16:5                             |
|              | Light Life (typical)  | 60,000hrs                                 | 50,000hrs  | 55,000hrs  | 55,000hrs                        | 55,000hrs                       | 55,000hrs                        |
|              | Display Orientation   | Landscape / Portrait                      | Landscape / Portrait   | Landscape / Portrait   | Landscape / Portrait             | Landscape / Portrait            | Landscape / Portrait             |
| System       | OS  | N/A                                       | N/A  | Android  | Android                          | Android                         | Android                          |
|              | System Memory (GB)  | N/A                                       | N/A  | 2GB  | 2GB                              | 2GB                             | 2GB                              |
|              | Storage (GB)  | N/A                                       | N/A  | 16GB   | 16GB                             | 16GB                            | 16GB                             |
| Audio        | Internal Speaker (Amp)  | 2W x 2                                    | N/A  | 2W x 2   | 2W x 2                           | 2W x 2                          | 2W x 2                           |
|              | Audio Line In/Out (3.5mm)   | x1 / No                                   | No / x1  | N/A  | N/A                              | N/A                             | N/A                              |
| Glass        | Tempered Glass  | N/A                                       | N/A  | Yes  | Yes                              | Yes                             | Yes                              |
| Connectivity | VGA In/Out  | x1 / N/A                                  | x1 / N/A   | N/A  | N/A                              | N/A                             | N/A                              |
|              | DVI In/Out  | N/A                                       | x1(DVI compatible with HDMI) /No                               | N/A  | N/A                              | N/A                             | N/A                              |
|              | HDMI In/Out   | x1 / N/A                                  | N/A  | x1 / N/A   | x1 / N/A                         | x1 / N/A                        | x1 / N/A                         |
|              | USB port (Type A)   | x1 / N/A                                  | N/A  | x2 / N/A   | x2 / N/A                         | x2 / N/A                        | x2 / N/A                         |
|              | RJ45 Port In/Out  | N/A                                       | N/A  | x1 / N/A   | x1 / N/A                         | x1 / N/A                        | x1 / N/A                         |
| Control      | RS232 In/Out  | x1 / N/A                                  | x1 / N/A   | x1 / N/A   | x1 / N/A                         | x1 / N/A                        | x1 / N/A                         |
| Power        | AC/DC In  | DC  | DC   | DC   | DC                               | DC                              | DC                               |
|              | Voltage   | 100V ~ 240V, 50Hz / 60Hz                  | 100V ~ 240V, 50Hz / 60Hz                                       | 100V ~ 240V, 50Hz / 60Hz   | 100V ~ 240V, 50Hz / 60Hz         | 100V ~ 240V, 50Hz / 60Hz        | 100V ~ 240V, 50Hz / 60Hz         |
|              | Power Consumption (typical/standby)                                   | ≤45W / ≤0.5W                              | ≤76W / ≤5W   | ≤30W / ≤0.5W   | ≤35W / ≤0.5W                     | ≤50W / ≤0.5W                    | ≤65W / ≤0.5W                     |
| Mechanical   | Dimension (WxHxD) (mm)  | 729.1 × 170.8 × 43.1mm                    | 980.9 × 303.2 × 43.6mm   | 629.6 × 90.0 × 45.5mm  | 728.8 × 162.4 × 45.5mm           | 905.0 × 89.2 × 45.3mm           | 949.6 × 317.6 × 45.6mm           |
|              | Bezel Width (top/bottom/left/right) (mm)                              | 19.6 / 20.4 / 19.4 / 19.4mm               | 16.9 / 22.7 / 29.2 / 29.2mm                                    | 15.5 / 15.5 / 15.5 / 15.5mm  | 14.7 / 14.7 / 14.7 / 14.7mm      | 15.1 / 15.1 / 9.2 / 9.2mm       | 14.2 / 14.2 / 14.7 / 14.7mm      |
|              | Weight (w/o Packing / w/ Packing) (kg)                                | 4.0kg / 7.0kg                             | 6.4kg / 10.2kg   | 2.5kg / 3.5kg  | 5.4kg / 6.4kg                    | 4.0kg / 5.0kg                   | 7.9kg / 8.9kg                    |
|              | Wall Mounting (VESA) (mm)   | 100 × 100 (4 holes) 4 - M4 × 8L           | 200 × 100 mm (4 holes) screw type                              | 430 × 60 (4 holes) 4 - M4 × 10L  | 400 × 100 (4 holes) 4 - M4 × 10L | 430 × 60 (4 holes) 4 - M4 × 10L | 400 × 100 (4 holes) 4 - M4 × 10L |
| Environment  | Operation Temperature   | 0°C ~ 40°C                                | 0°C ~ 45°C   | 0°C ~ 50°C   | 0°C ~ 50°C                       | 0°C ~ 50°C                      | 0°C ~ 50°C                       |
|              | Storage Temperature   | -10°C ~ 60°C                              | -10°C ~ 60°C   | -25°C ~ 60°C   | -25°C ~ 60°C                     | -25°C ~ 60°C                    | -25°C ~ 60°C                     |
|              | Usage (Hour/Day)  | 24/7                                      | 24/7   | 24/7   | 24/7                             | 24/7                            | 24/7                             |
| OSD          | On-Screen Display Languages   | English, Simplified Chinese (2 Languages) | English, Simplified Chinese, Traditional Chinese (3 Languages) | English / French / German / Dutch / Polish / Russian / Czech / Danish / Swedish / Italian / Romanian / Finnish / Norwegian / Greek / Hungarian / Spanish / Portuguese / Traditional Chinese / Simplified Chinese / Arabic / Japanese / Thai / Persian / Vietnamese / Korean (25 Languages) |                                  |                                 |                                  |
| Software     | Multiple Display Control (MDA) Support                                | Yes                                       | N/A  | Yes  | Yes                              | Yes                             | Yes                              |
|              | X-Sign (please check X-Sign website for detailed compatibility info.) | Yes                                       | Yes  | Yes  | Yes                              | Yes                             | Yes                              |
| Accessory    | Remote Control  | Yes                                       | N/A  | Yes  | Yes                              | Yes                             | Yes                              |
|              | Power Cord (by region)  | Yes                                       | Yes  | Yes  | Yes                              | Yes                             | Yes                              |
|              | HDMI Cable  | Yes                                       | Yes (DVI to HDMI Cable)  |  | Yes                              | Yes                             | Yes                              |
|              | RS232 Cable/RS232 Loop Cable  | N/A                                       | N/A  | Yes/No   | Yes/No                           | Yes/No                          | Yes/No                           |
|              | Quick Start Guide   | Yes                                       | N/A  | Yes  | Yes                              | Yes                             | Yes                              |
|              | User's Manual Electronic File   | Yes                                       | Yes  | Yes  | Yes                              | Yes                             | Yes                              |
| Stand        | Optional  | N/A                                       | Optional   | Optional   | Optional                         | Optional                        |                                  |

\*These features are compatible with selected models. For more information, please refer to BenQ's official website.

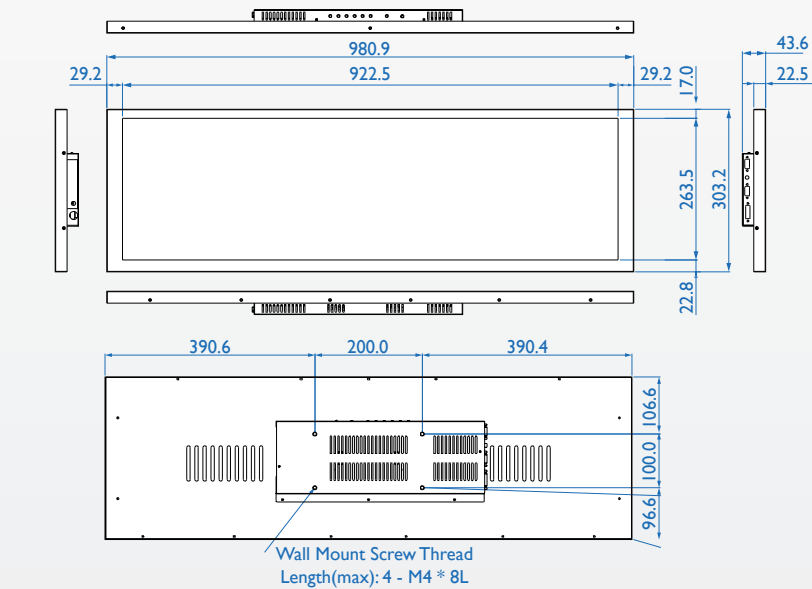
\*\* Please check X-Sign website for detailed compatibility info. <http://business-display.benq.com/>

# Dimension(mm)

BH281



BH380



BH2401

