

FEATURE HIGHLIGHTS

- HIGH BRIGHTNESS
- 20,000HR LIGHTSOURCE LIFE
- 360° AND PORTRAIT PROJECTION
ACCOMMODATE DIFFERENT SPACES
- BUILT-IN CORNER FIT CORRECTION
- 5 OPTIONAL LENSES FOR DIVERSE APPLICATIONS



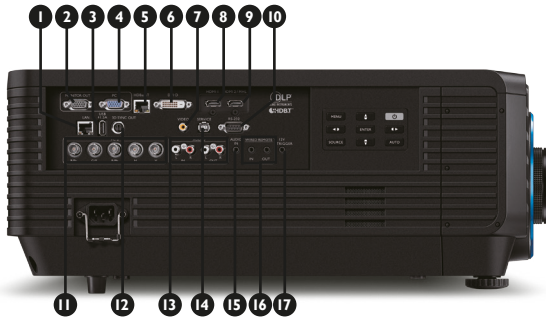
Product Specifications

Projection System	DLP Single 0.67" WUXGA		
DMD type	DC3 DMD Chip		
Native Resolution	1920 x 1200 pixels		
Brightness	6,000 ANSI Lumens		
Contrast Ratio *	100,000 : 1		
Display Color	1.07 Billion Colors		
Aspect Ratio	Native 16 : 10 (5 aspect ratio selectable)		
Projection Size	50" ~ 300", Standard Lens		
Lenses (Optional) ***		Throw Ratio	Zoom Ratio
	LS2ST3 Wide Fix (5JJDH37.002)	0.778	1x
	LS2ST1 Wide Zoom (5JJDH37.011)	1.1 ~ 1.3	1.18x
	LS2SD2 Standard (5JJEH37.001)	1.54 ~ 1.93	1.25x
	LS2LT1 Semi Long (5JJDH37.032)	1.93 ~ 2.9	1.5x
	LS2LT2 Long Zoom (5JJDH37.041)	3 ~ 5	1.67x
Lens Control	5 Lens (Manual Zoom and Focus)		
Lens Shift	Vertical: -15% ~ 55% / Horizontal: -5%~5%, Standard Lens		
Light Source Type	Laser Diodes		
Light Source Life **	20,000 / 38,000 / 70,000 Hours (Normal / Eco / Dimming mode)		
Keystone Adjustment	Vertical: ± 30 degrees, Horizontal: ± 30 degrees		
Resolution Support	VGA (640 x 480) to WUXGA (1920 x 1200)		
Horizontal Frequency	15 ~ 102KHz		
Vertical Scan Rate	23 ~ 120 Hz		
HDTV / Video Compatibility	480i, 480p, 576i, 567p, 720p, 1080i, 1080p / NTSC, PAL, SECAM		
Interface	HDMI 1	x 1	RCA Audio Output L / R
	HDMI 2 / MHL	x 1	LAN Port (RJ45 for Network Control)
	DVI-D Input	x 1	RS232 Input (D-sub 9pin, Male)
	Computer Input 1 (D-sub 15pin, Female)	x 1	3D Sync Output
	Computer Input 2 (5BNC, YBPBR)	x 1	USB TypeA (1.5A Power)
	Monitor Output (D-sub 15pin, Female)	x 1	USB TypeB (Service)
	Composite Video (RCA)	x 1	Wired Remote Input
	HDBaseT (RJ45 for Video and Audio Display)	x 1	Wired Remote Output
	Audio Input (mini jack)	x 1	IR Receiver (Front+Rear)
	RCA Audio Input L / R	x 1	12V Trigger
Built-in Speaker	20W (10W x 2)		
Security	Security Bar; Power Cord Lock		
Feature	Blank for True Black, 2D Keystone, Corner fit, Custom Lightsource mode (brightness adjustment), Dicom simulation mode, 24 / 7 Hours Operating, Dust Proof engine.		
Dimensions (W x H x D)	525 x 216 x 470 mm		
Weight	25 kg (without lens)		
Power Supply	100 ~ 240V AC		
Power Consumption (Max / Normal / Eco)	650W / 640W / 500W		
Standby Power Consumption	Normal < 0.5Watts, Network < 6W.		
Audible Noise	36 / 33 dBA		
Operating Temperature	0 ~ 40°C		
On-Screen Display Languages	Arabic / Bulgarian / Croatian / Czech / Danish / Dutch / English / Finnish / French / German / Greek / Hindi / Hungarian / Italian / Indonesian / Japanese / Korean / Norwegian / Polish / Portuguese / Romanian / Russian / Simplified Chinese / Spanish / Swedish / Turkish / Thai / Traditional Chinese (28 Languages)		
Accessories	Standard		Optional
	Power Cord (by region)	VGA Cable (1.8m)	5 Optional Lenses ***
	Remote Control	Installation Guide	
	AAA Battery x 2	Safety Guide	

All related Optical Value is measure by Standard Lens. *The Contrast is measure by Full On Full Off standard.

**LightSource life results will vary depending on environmental conditions and usage. Actual product's features and specifications are subject to change without notice.

Input and Output Terminals



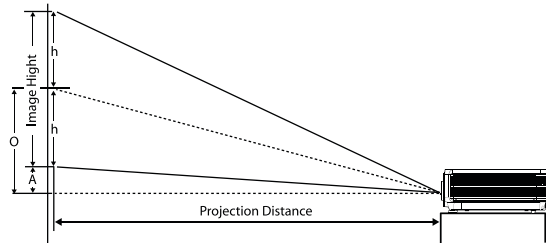
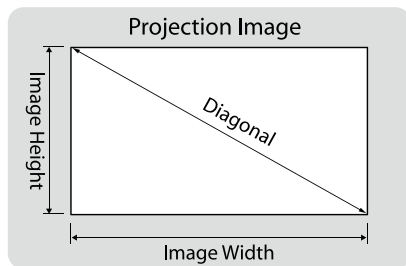
- ❶ LAN Port (RJ45 for Network Control)
- ❷ Monitor Output (D-sub 15pin, Female)
- ❸ USB Type A (1.5A)
- ❹ PC 1 Input (D-sub 15pin, Female)
- ❺ HDBaseT (RJ45)
- ❻ DVI-D Input
- ❼ Composite Video (RCA)
- ❽ HDMI 1
- ❾ HDMI 2 / MHL
- ❿ RS-232 Input (D-sub 9pin, Male)
- ⓫ PC 2 Input (R / Pr; G / Y, B / Pb, H, V)
- ⓬ 3D Sync Output
- ⓭ RCA Audio L / R Input / L / R Output
- ⓮ Service
- ⓯ Audio Input (mini Jack)
- ⓰ Wired Remote Input / Output
- ⓱ 12V Trigger

Dimensions

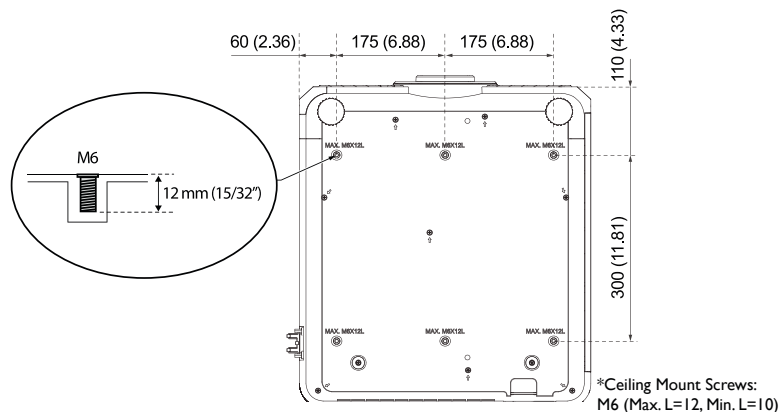


Distance Chart

Lens					Wide Zoom (LS2ST1)				Standard (LS2SD2)				Semi Long (LS2LT1)				Long Zoom (LS2LT2)				Wide Fix (LS2ST3)						
Throw Ratio					1.1 ~ 1.3				1.54 ~ 1.93				1.93 ~ 2.9				3 ~ 5				0.778						
Diagonal	Image Width	Image Height	Offset (A)		O	Distance				Distance				Distance				Distance									
			Wide	Tele		Wide	Tele	Wide	Tele	Wide	Tele	Wide	Tele	Wide	Tele	N / A	N / A										
(inch)	(m)	(inch)	(m)	(inch)	(m)	(inch)	(m)	(inch)	(m)	(inch)	(m)	(inch)	(m)	(inch)	(m)	(inch)	(m)	(inch)	(m)								
80	2.03	68	1.72	42	1.08	2.1	0.054	23.3	0.592	75	1.90	88	2.24	104	2.65	131	3.33	131	3.33	197	5	204	5.17	339	8.62	53	1.34
100	2.54	85	2.15	53	1.35	2.6	0.067	29.1	0.740	93	2.37	110	2.80	131	3.32	164	4.16	164	4.16	246	6.25	254	6.46	424	10.77	66	1.68
120	3.05	102	2.58	64	1.62	3.2	0.081	35	0.888	112	2.84	132	3.36	157	3.98	196	4.99	196	4.99	295	7.5	305	7.75	509	12.92	79	2.01
150	3.81	127	3.23	79	2.02	4.0	0.101	43.7	1.111	140	3.55	165	4.20	196	4.98	245	6.24	245	6.24	369	9.37	382	9.69	636	16.15	99	2.51
200	5.08	153	3.88	95	2.42	5.3	0.135	58.3	1.481	187	4.74	220	5.60	261	6.63	327	8.31	327	8.31	492	12.49	509	12.92	848	21.54	132	3.35
300	7.62	254	6.46	159	4.04	7.9	0.202	87.4	2.221	280	7.11	331	8.40	-	-	-	-	491	12.47	738	18.74	763	19.39	1272	32.31	-	-
400	10.16	339	8.62	212	5.38	10.6	0.269	116.6	2.962	-	-	-	-	-	-	-	-	655	16.63	984	24.99	-	-	-	-	-	-



Ceiling Mount Chart



BenQ Europe B.V.

Meerenakkerweg 1-17
5652 AR Eindhoven
The Netherlands
Tel: +31 88 8889200

BenQ.eu

© 2018 BenQ Corp. Specifications may vary by region, please visit your local stores for details. Actual product's features and specifications are subject to change without notice. This material may include corporate names and trademarks of third parties which are the properties of the third parties respectively.

BenQ