

BenQ

RE7505

Essential Series



EDLA-certified with Enhanced Security

The RE7505 seamlessly integrates Google services with BenQ's reliable hardware and software, now powered by Android 16 for enhanced performance and long-term compatibility. Easily access Google/Microsoft tools and education apps via the Google Play Store and ensure data protection using secure login options, access controls, regular system updates, and built-in Google Play Protect and Safe Browsing.



Advanced Management Solutions (DMS & AMS)

The RE7505 series features BenQ's cloud-based DMS and AMS, providing centralised control of displays and user accounts from a single dashboard. DMS simplifies device setup with quick onboarding, remote configuration, app management, firmware updates, and task automation, while offering real-time analytics and energy usage insights. AMS ensures secure, personalised access with single sign-on and integration with cloud storage platforms such as Google Drive, OneDrive, and Nextcloud, keeping user data separate and allowing customised settings for a consistent user experience.



Comfortable Viewing with Eye Care Technologies

The RE7505 interactive display features a bright 500-nit anti-glare 4K screen for clear visibility in any classroom. Its powerful 70W sound system—two 25W speakers, a 20W subwoofer, and an 8-microphone array—ensures clear audio and communication. Built-in eye care technologies, including low blue light and a flicker-free screen, help reduce eye strain for comfortable extended use.

Panel	Screen size	75"
	Resolution	UHD 3840 × 2160
	Brightness	500 nits
	Typical contrast ratio	1200:1
	Dynamic contrast ratio	30,000:1
	Viewing angle (H/V)	178°/178°
	Response time	8 ms
	Backlight life	50,000 hrs
	Panel surface	AG, Haze 25%
	Operating hours	18 hours / 7 days
System	Orientation	Landscape
	Memory Storage	8 GB 128 GB
	OS	Android 16.0 (EDLA)
	GPU	Arm Mali-G57 MC2
	CPU	Octa-Core (A78 × 2 + A55 × 6)
Power	NPU	10 TOPS
	Power supply	AC 100–240 V, 50/60 Hz
	Power consumption	Typical 74.2 W
	Standby	<0.5 W
	AC power switch	Yes
	ENERGY STAR®	Yes
	Wake up	LAN / HDMI / VGA
Touch	Technology	Precision IR
	Number of touch points	up to 50
	Interface	USB Type-B × 2
Glass	Thickness	3.2 mm
	Hardness	9H tempered
	AG coating	Yes
ClassroomCare® Technology	Eye care: flicker-free & low blue light	Yes (TÜV-certified)
	Air quality sensors & air ioniser	No
	Germ-resistant screen	No
Environment	Operating temperature	0°C ~ 40°C
	Operating humidity	20% ~ 80% RH non-condensing
Connectivity	Input	VGA × 1, HDMI 2.0 × 3, DP 1.2a × 1, Mic (3.5mm) × 1, PC Audio × 1
	Output	HDMI 2.0 × 1, SPDIF (Optical) × 1, Earphone × 1
	USB	Type-A × 6 (3.0 × 4 / 2.0 × 2), Type-B × 2 (2.0), Type-C × 3 (3.0 × 1 [5-in-1: data, video, audio, touch, PD 65 W] / 3.0 × 1 [5-in-1: data, video, audio, touch, PD 15 W] / 2.0 × 1 [data])
	RS-232 (in)	× 1
	RJ45 (LAN)	× 2 (Android / OPS) up to 1000Mbps
	Wireless connectivity	Optional WD02AT (Wi-Fi 6, Bluetooth 5.2)
	OPS slot (for slot-in PC)	× 1
	Micro SD reader	× 1
	Speaker	25 W × 2
	Subwoofer	20 W × 1
Built-in peripherals	Microphones	8-mic array, up to 12 m pickup range
	Dimensions (W × H × D)	1705 × 1036 × 87.6 mm
Physical	Weight (product shipping)	49.5 kg 62.5 kg
	Bezel width (T B L R)	35.1 47.1 14.8 14.8 mm
	Wall mounting (VESA) (screw type/max length)	VESA 800 × 400 mm (4 × M8 × 25L), wall mount kit included
	Remote control	× 1
Accessories	Stylus	× 2 (PT06)
	Cables	VGA (3 m) × 1, HDMI (3 m) × 1, USB-B for touch (3 m) × 1

→ Specifications subject to change without notice.



ENERGY STAR®
The energy-efficient design of the RE7505 displays meets ENERGY STAR® standards and can reduce power consumption by up to 70%.



Sustainable packaging
We've reduced our transport and logistics footprint by increasing the loading rate by 60%.



Remote energy control
Lower unnecessary power use with DMS by remotely powering displays on/off and setting schedules.

SOFTWARE



EZWrite 6

Save lessons in editable whiteboard files (IWB) with Cloud Whiteboarding. Google Classroom is integrated with EZWrite WEB.



InstaShare 2

Wireless screen sharing & casting from any device. Share several screens simultaneously, with different types of content.



X-Sign Broadcast

Announcement system with cross-campus communication. Send visual alerts, warnings, and videos to all or one specific device.



AMS

Account Management System to conveniently load and access your account and cloud storage from any BenQ display.



DMS

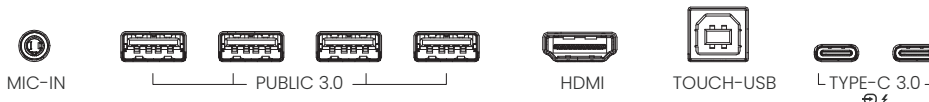
Device Management Solution centrally oversees all displays to get real-time status information, deploy OTA updates & more.

INPUT AND OUTPUT TERMINALS

SENSOR & KEYPAD BUTTONS



FRONT I/O



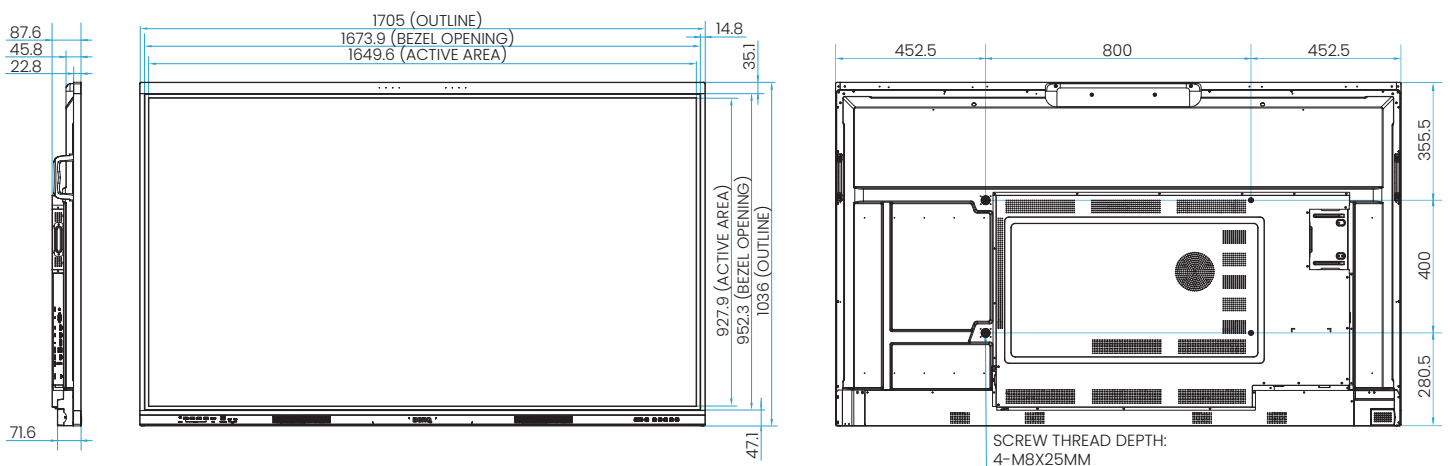
SIDE I/O (RIGHT)



DOWN I/O



DIMENSIONS (MM)



Warranty terms and conditions may change based on the country of purchase and local regulations.



www.benq.eu/en-eu/education.html

© 2026 BenQ Corp. Specifications may vary by region, please visit your local stores for details. Actual product's features and specifications are subject to change without notice. This material may include corporate names and trademarks of third parties which are the properties of the third parties respectively.

