



MH560C

BenQ DLP Projector

- 3800 ANSI Lumens
- 1080P Lamp Light Source
- Low Latency (16.67ms@1080p/60Hz)
- Built-in 10W Speaker

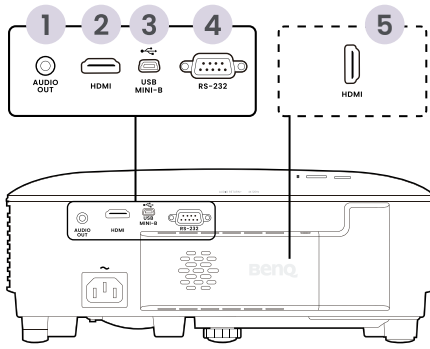


Display	
Projection System	DLP
DMD Type	DC3 DMD Chip
Native Resolution	1080P (1920 x 1080)
Brightness	3800 ANSI Lumens
Contrast Ratio*	15,000:1
Display Colour	30 Bits (1.07 Billion Colours)
Rec.709 Coverage	88%
Aspect Ratio	Native 16:9 (3 Aspect Ratio Selectable)
Light Source	Lamp
Picture Mode	Bright/Living Room/Cinema/Sports/Game/(3D)/User 1/User 2
Light Source Life** (Normal/Eco/SmartEco/LampSave)	6,000/10,000/10,000/15,000 hours
Optical	
Throw Ratio	1.49 - 1.64
Zoom Ratio	1.1x
Lens	F = 2.56 - 2.68 / f = 22 - 24.1 mm
Lens Shift	N/A
Keystone Correction	Auto 1D Keystone, V: ±40 degree
Projection Offset	108%
Projection Size	70" - 150"
Audio	
Built-In Speaker	10W x1
Special Feature	
Security	Security Bar, Kensington Lock
Compatibility	
Resolution Support	VGA (640 x 480) to WUXGA (1920 x 1200)
Horizontal Frequency	15 - 102KHz
Vertical Scan Rate	23 - 120 Hz
HDTV Compatibility	480i, 480p, 576i, 576p, 720p, 1080i, 1080p
Video Compatibility	N/A
Power	
Power Consumption	260W
Standby Power Consumption	< 0.5W
Power Supply	100 - 240V AC, 50/60 Hz
Dimension and Weight	
Product Dimensions (WxHxD)	296 x 120 x 236.8mm
Product Weight	2.5kg
Operation Condition	
Noise Level (Normal/Eco)	34/29 dBA
Operating Temperature	0 - 40°C
Accessories	
Accessories (Standard)	Power Cord (1.8m, by Region), Remote Control (RCV013) with Batteries, Quick Start Guide, Warranty Card (by Region)
Accessories (Optional)	Ceiling mount (CM00G3)
OSD	
On Screen Display Language	Arabic, Bulgarian, Croatian, Czech, Danish, Dutch, English, Finnish, French, German, Greek, Hindi, Hungarian, Indonesian, Italian, Japanese, Korean, Norwegian, Polish, Portuguese, Romanian, Russian, Spanish, Simplified Chinese, Swedish, Thai, Traditional Chinese, Turkish (28 Languages)
Other	
Part Number / EAN Code	9H.JRF77.1NE / 471 8755 09919 9

* The Contrast is measured by Full On/Full Off standard.

** Light Source Life results will vary depending on environmental conditions and usage.
Actual product's features and specifications are subject to change without notice.

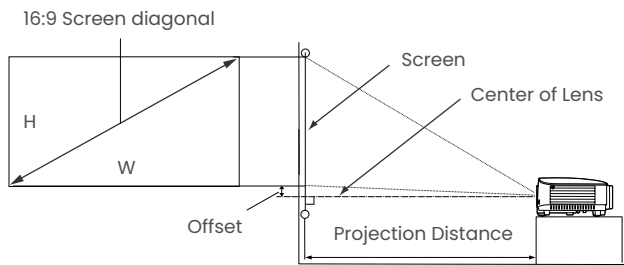
INPUT AND OUTPUT TERMINALS



- 1 - Audio Out
- 2 - HDMI 1.4
- 3 - USB (Mini-B)
- 4 - RS232 In (D-sub 9pin, male)
- 5 - HDMI 1.4 (under the cover)*

* To access the HDMI interface, remove the cover using a screwdriver.

PROJECTION DIMENSIONS

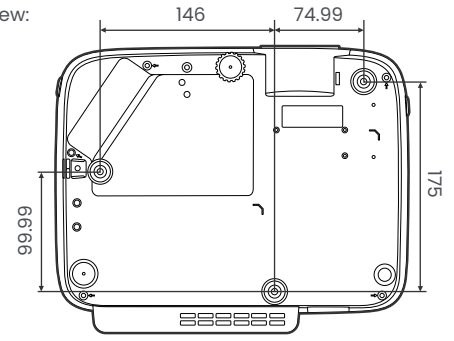


16:9 Screen diagonal

CEILING / WALL MOUNT INSTALLATION

Ceiling mount screw: M4 x 8L

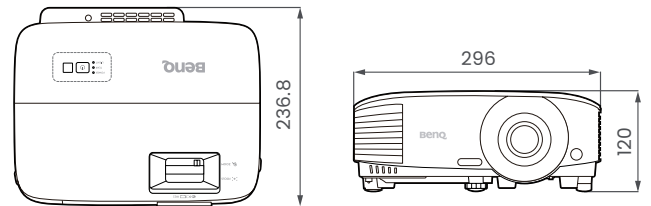
Unit: mm



DIMENSIONS

296 (W) x 120 (H) x 236.8 (D)

Unit: mm



DISTANCE CHART

Screen Size		Projection Distance			Offset (mm)		
Diagonale		H (mm)	W (mm)	Min distance (max. zoom)		Average	Max distance (min. zoom)
Inch	mm						
30	762	374	664	990	1039	1089	30
40	1016	498	886	1319	1386	1452	40
50	1270	623	1107	1649	1732	1815	50
60	1524	747	1328	1979	2079	2178	60
70	1778	872	1550	2309	2425	2541	70
80	2032	996	1771	2639	2772	2905	80
90	2286	1121	1992	2969	3118	3268	90
100	2540	1245	2214	3299	3465	3631	100
110	2794	1370	2435	3628	3811	3994	110
120	3048	1494	2657	3958	4158	4357	120
130	3302	1619	2878	4288	4504	4720	130
140	3556	1743	3099	4618	4850	5083	139
150	3810	1868	3321	4948	5197	5446	149
160	4064	1992	3542	5278	5543	5809	159
170	4318	2117	3763	5608	5890	6172	169
180	4572	2241	3985	5937	6236	6535	179
190	4826	2366	4206	6267	6583	6898	189
200	5080	2491	4428	6597	6929	7261	199
250	6350	3113	5535	8246	8661	9077	249
300	7620	3736	6614	9896	10394	10892	299

To optimize your projection quality, we suggest to do the projection within non-grey area.



benq.eu/en-eu/business/projector.html

© 2026 BenQ Corp. Specifications may vary by region, please visit your local stores for details. Actual product's features and specifications are subject to change without notice. This material may include corporate names and trademarks of third parties which are the properties of the third parties respectively.

